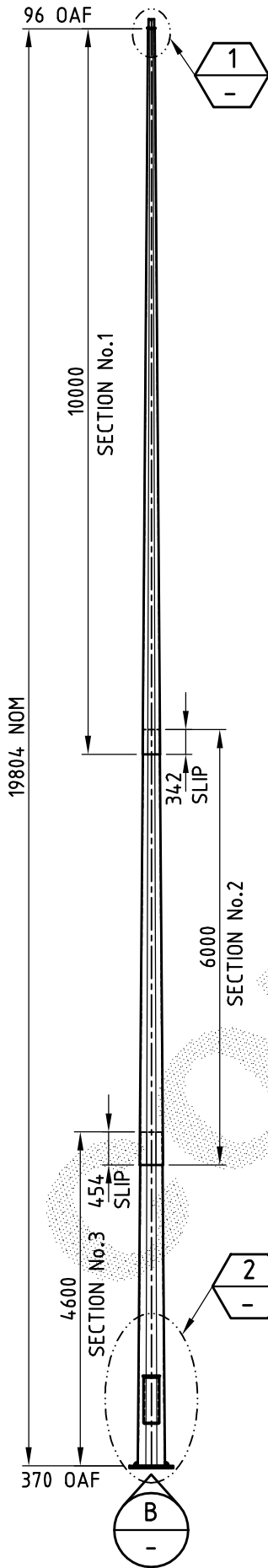
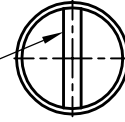


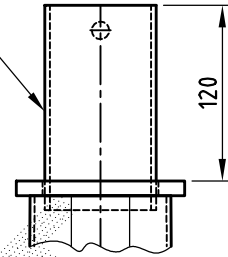
FOR GENERAL NOTES APPLICABLE TO THIS DRAWING REFER DRAWING GA1



CABLE SUPPORT ROD  
SUPPLIED AS STANDARD

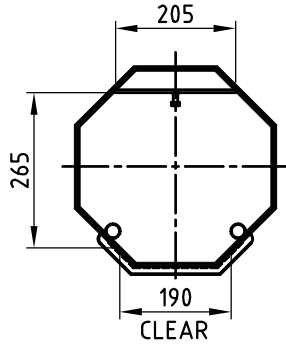


76.1 OD SPIGOT

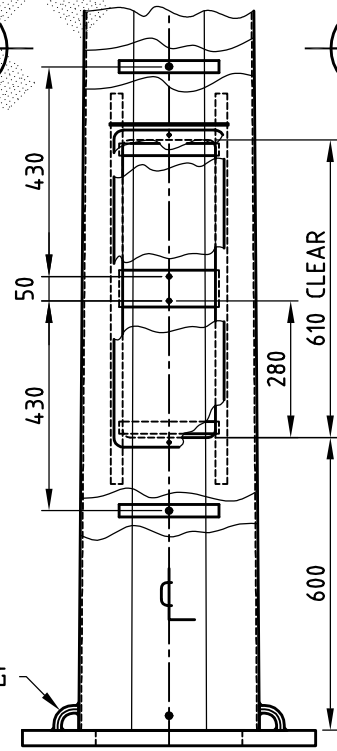
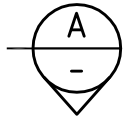


DETAIL 1

SCALE -NTS



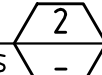
SECTION A  
SCALE -NTS



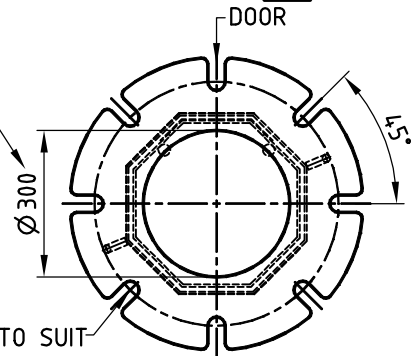
LIFTING LUG

DETAIL 2

SCALE -NTS



AVAILABLE FOR  
CABLE ACCESS

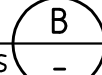


8 OFF  $\varnothing 36$  SLOTS TO SUIT  
M30 FOUNDATION BOLTS ON  
500 PCD.

BASE PLATE  $\varnothing 600$

VIEW B

SCALE -NTS



FOR ASSEMBLY & DETAIL REFER AD3049

PRODUCT WEIGHT 602 kg	CUSTOMER APPROVAL DATE	COPYRIGHT THIS DOCUMENT PRODUCED BY INGAL EPS MUST NOT BE COPIED, TRACED, REPRODUCED, OR LENT WITHOUT WRITTEN CONSENT	<b>INGAL EPS</b>	PRODUCT NUMBER FPM20F
		DIMENSIONS IN MILLIMETRES	GENERAL ASSEMBLY OF FLOODLIGHTING 20m MEDIUM DUTY PARK RANGE 76 OD x 120 SPIGOT	DRAWING NUMBER GA57
0	28/07/08	ISSUED FOR CONSTRUCTION	S.K.P	SHEET NUMBER
REV	DATE	DESCRIPTION	BY	CHKD
CUSTOMER NAME / PROJECT		CHECKED BY	DATE	SCALE
		A4	28/07/08	1:85
		DO NOT SCALE	DATE	CAD FILE No
			28/07/08	GA57
			DRAWN BY	
			S.K.PONNAMBATH	