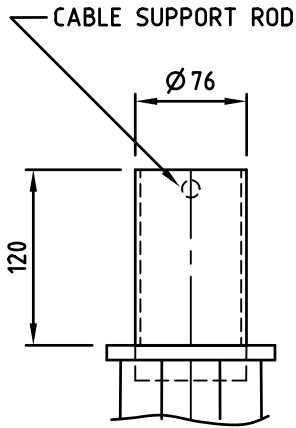
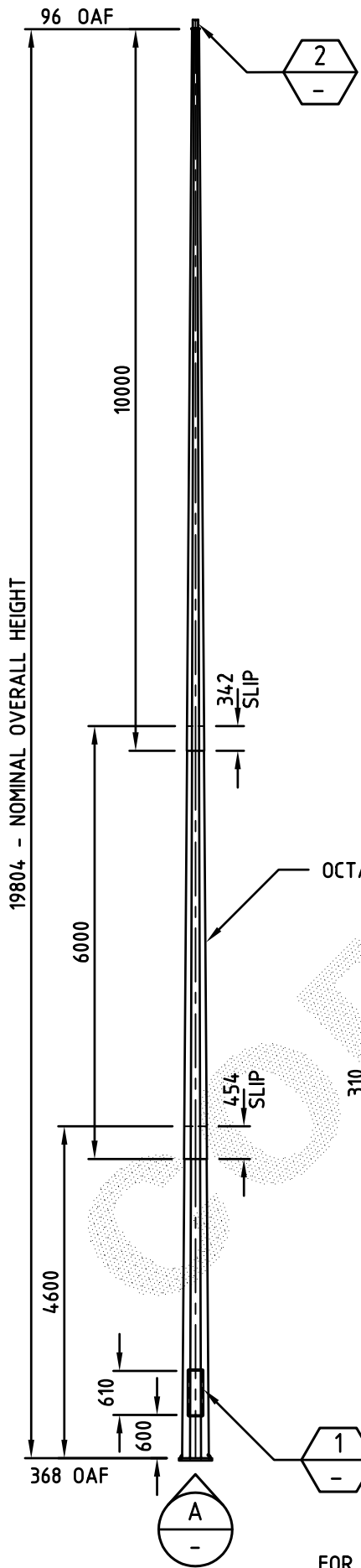
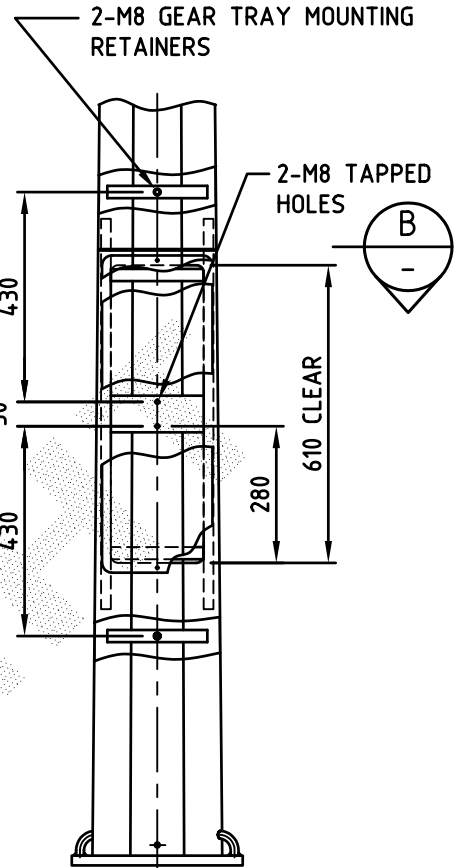


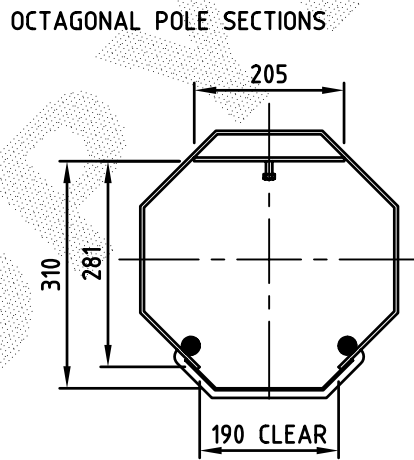
FOR GENERAL NOTES APPLICABLE TO THIS DRAWING REFER DRAWING GA1



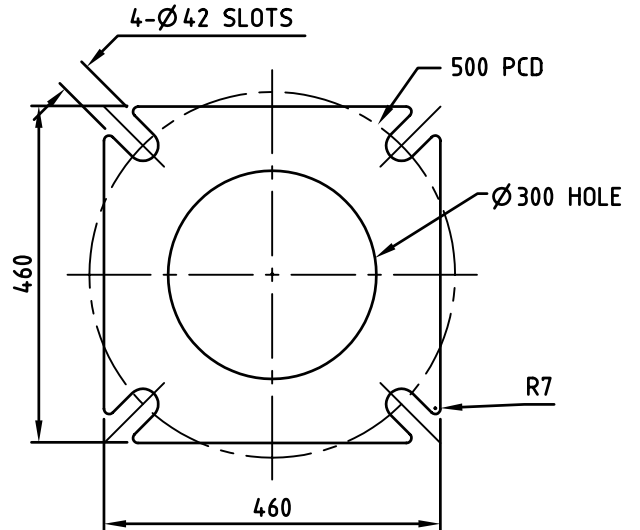
DETAIL SCALE 1:5



DETAIL SCALE 1:15



SECTION SCALE 1:10



VIEW SCALE 1:10

BASE PLATE FOR
4 - M36 FOUNDATION BOLTS

FOR ASSEMBLY & DETAIL REFER AD1635

PRODUCT WEIGHT 495 kg	CUSTOMER APPROVAL DATE	COPYRIGHT THIS DOCUMENT PRODUCED BY INGAL EPS MUST NOT BE COPIED, TRACED, REPRODUCED, OR LENT WITHOUT WRITTEN CONSENT	INGAL EPS	PRODUCT NUMBER FPL20F
	DIMENSIONS IN MILLIMETRES			DRAWING NUMBER GA56
0 10/04/07 FIRST ISSUE	PB	CHECKED BY A4 DO NOT SCALE	FLOODLIGHTING PARK OCTAGONAL 20m LIGHT DUTY 76 OD x 120 SPIGOT	SHEET NUMBER
REV DATE DESCRIPTION	BY CHKD			CHECKED BY DATE 10/04/07
CUSTOMER NAME / PROJECT		DRAWN BY P BENTZEN	SCALE 1:85	CAD FILE No GA56