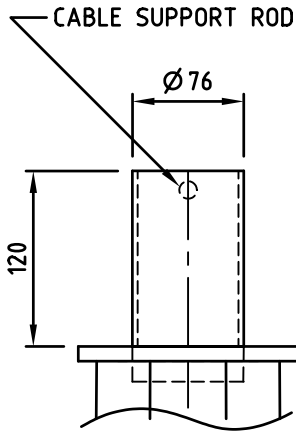
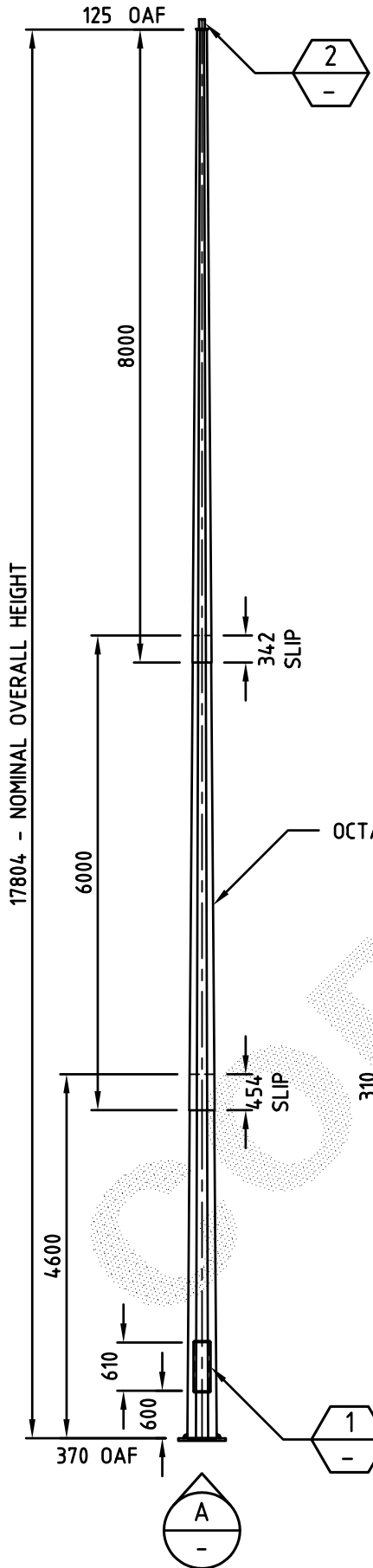
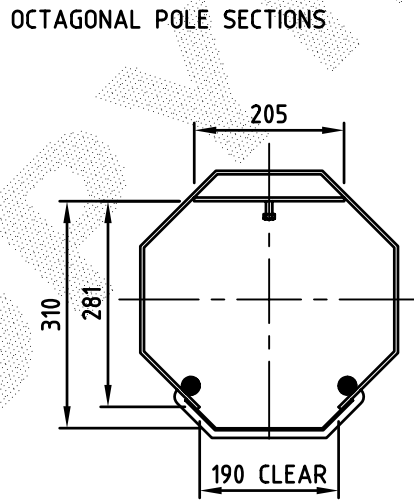


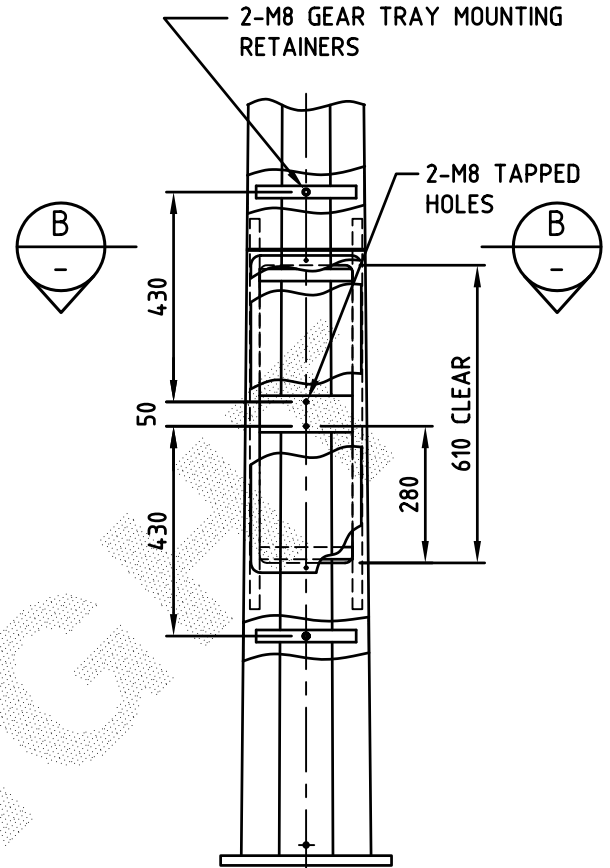
FOR GENERAL NOTES APPLICABLE TO THIS DRAWING REFER DRAWING GA1



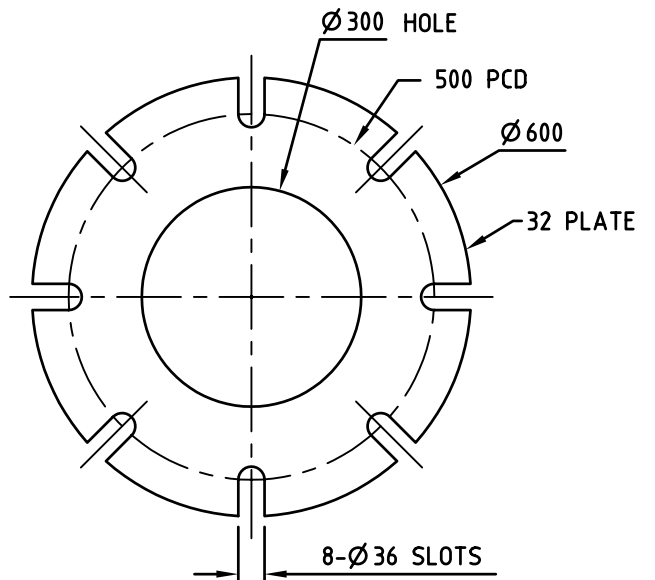
DETAIL 2  
SCALE 1:5



SECTION B  
SCALE 1:10



DETAIL 1  
SCALE 1:15



VIEW A  
SCALE 1:10

BASE PLATE FOR  
8 - M30 FOUNDATION BOLTS

FOR ASSEMBLY & DETAIL REFER AD735

<b>PRODUCT WEIGHT</b> 582 kg	CUSTOMER APPROVAL DATE	COPYRIGHT THIS DOCUMENT PRODUCED BY INGAL EPS MUST NOT BE COPIED, TRACED, REPRODUCED, OR LENT WITHOUT WRITTEN CONSENT DIMENSIONS IN MILLIMETRES	<b>INGAL EPS</b>	PRODUCT NUMBER FPM18F
	0 20/03/07 FIRST ISSUE REV DATE DESCRIPTION BY CHKD CUSTOMER NAME / PROJECT			FLOODLIGHTING PARK OCTAGONAL 18m 76 OD x 120 SPIGOT
		CHECKED BY DATE 20/03/07	DATE 15/09/06	DRAWN BY J MARTIN
		A4 DO NOT SCALE	SCALE 1:80	CAD FILE No GA54