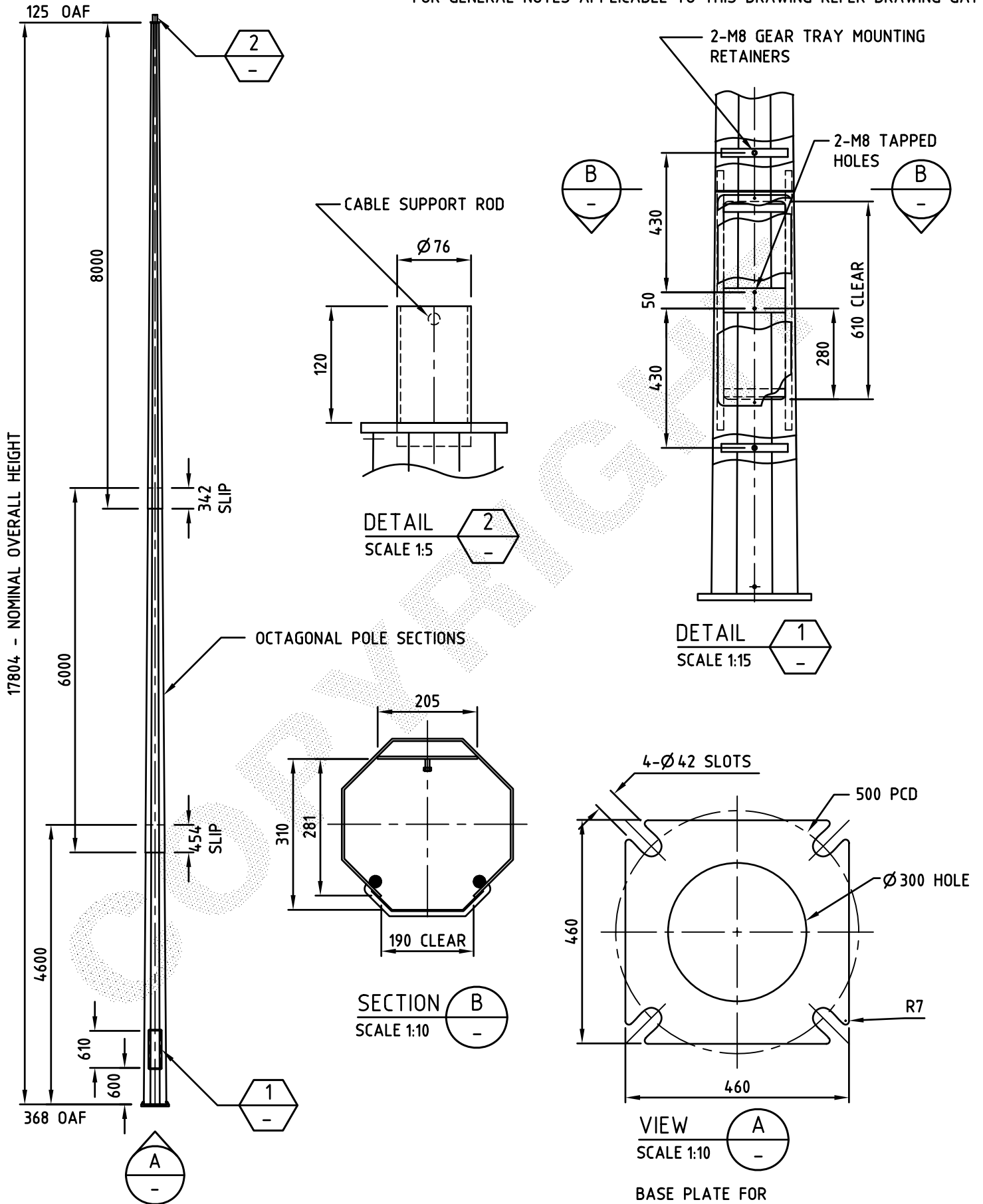


FOR GENERAL NOTES APPLICABLE TO THIS DRAWING REFER DRAWING GA1



FOR ASSEMBLY & DETAIL REFER AD1629

BASE PLATE FOR  
4 - M36 FOUNDATION BOLTS

<b>PRODUCT WEIGHT</b> 477 kg	<b>CUSTOMER APPROVAL</b> DATE		COPYRIGHT THIS DOCUMENT PRODUCED BY IN GAL EPS MUST NOT BE COPIED, TRACED, REPRODUCED, OR LENT WITHOUT WRITTEN CONSENT		<b>INGAL EPS</b>	<b>PRODUCT NUMBER</b> FPL18F	
	DIMENSIONS IN MILLIMETRES		FLOODLIGHTING PARK OCTAGONAL 18m LIGHT DUTY 76 OD x 120 SPIGOT			<b>DRAWING NUMBER</b> GA53	
0 04/04/07 FIRST ISSUE	PB	BY	CHKD	A4 DO NOT SCALE	<b>SHEET NUMBER</b>		SCALE 1:80
CUSTOMER NAME / PROJECT		CHECKED BY DATE 04/04/07	DATE 04/04/07	DRAWN BY P BENTZEN	CAD FILE No GA53		