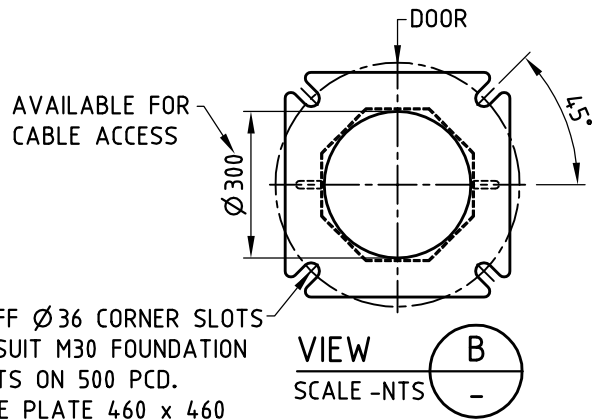
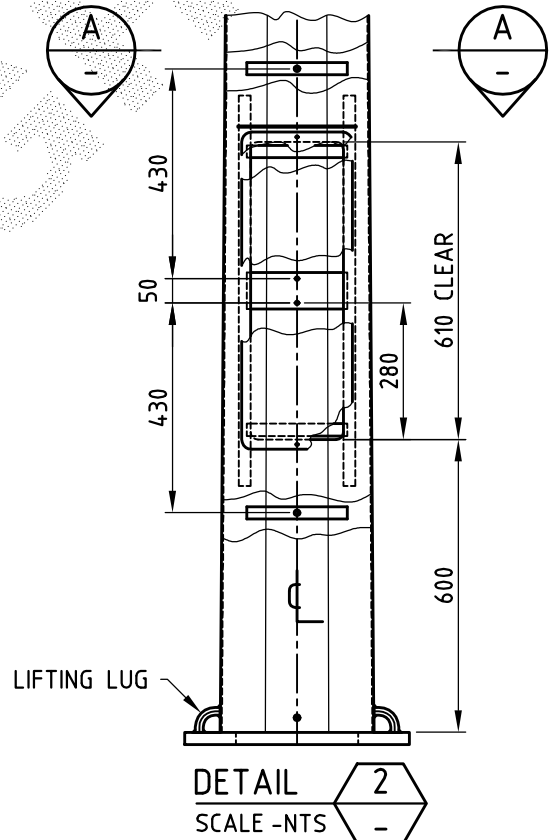
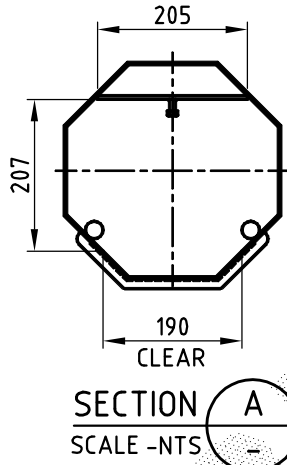
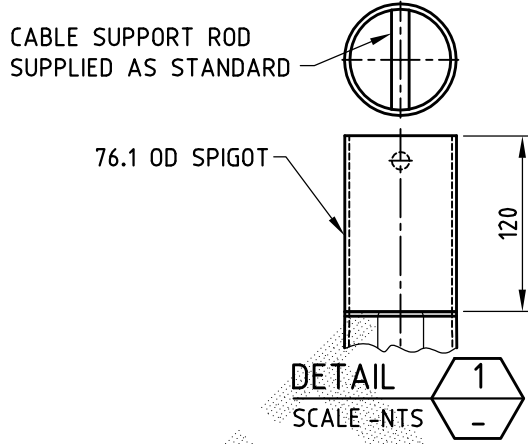
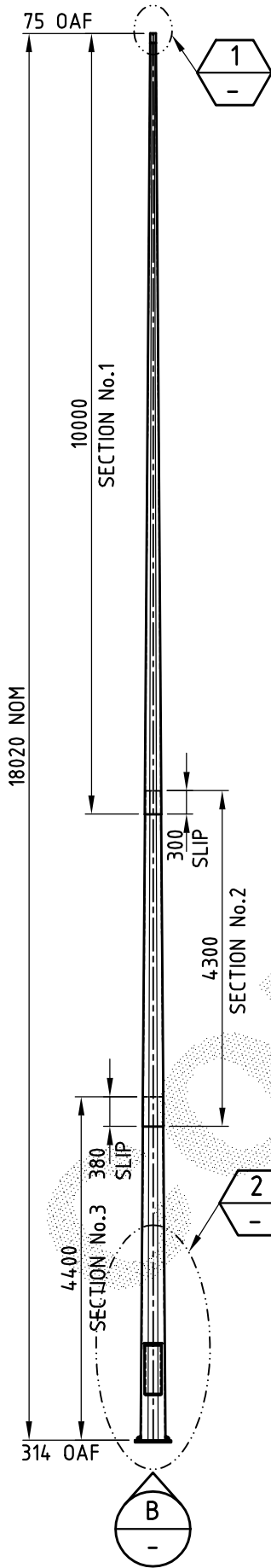


FOR GENERAL NOTES APPLICABLE TO THIS DRAWING REFER DRAWING GA1



FOR ASSEMBLY & DETAIL REFER AD3048

PRODUCT WEIGHT 345 kg	CUSTOMER APPROVAL DATE	COPYRIGHT THIS DOCUMENT PRODUCED BY INGAL EPS MUST NOT BE COPIED, TRACED, REPRODUCED, OR LENT WITHOUT WRITTEN CONSENT	INGAL EPS	PRODUCT NUMBER FPLL18F
		DIMENSIONS IN MILLIMETRES	GENERAL ASSEMBLY OF FLOODLIGHTING 18m EXTRA LIGHT DUTY PARK RANGE 76 OD x 120 SPIGOT	DRAWING NUMBER GA52
0	28/07/08	ISSUED FOR CONSTRUCTION	S.K.P.	SHEET NUMBER
REV	DATE	DESCRIPTION	BY	CHKD
CUSTOMER NAME / PROJECT		CHECKED BY	DATE	SCALE
		A4	28/07/08	1:80
		DO NOT SCALE	DATE	CAD FILE No
			28/07/08	GA52
			DRAWN BY	
			S.K.PONNAMBATH	