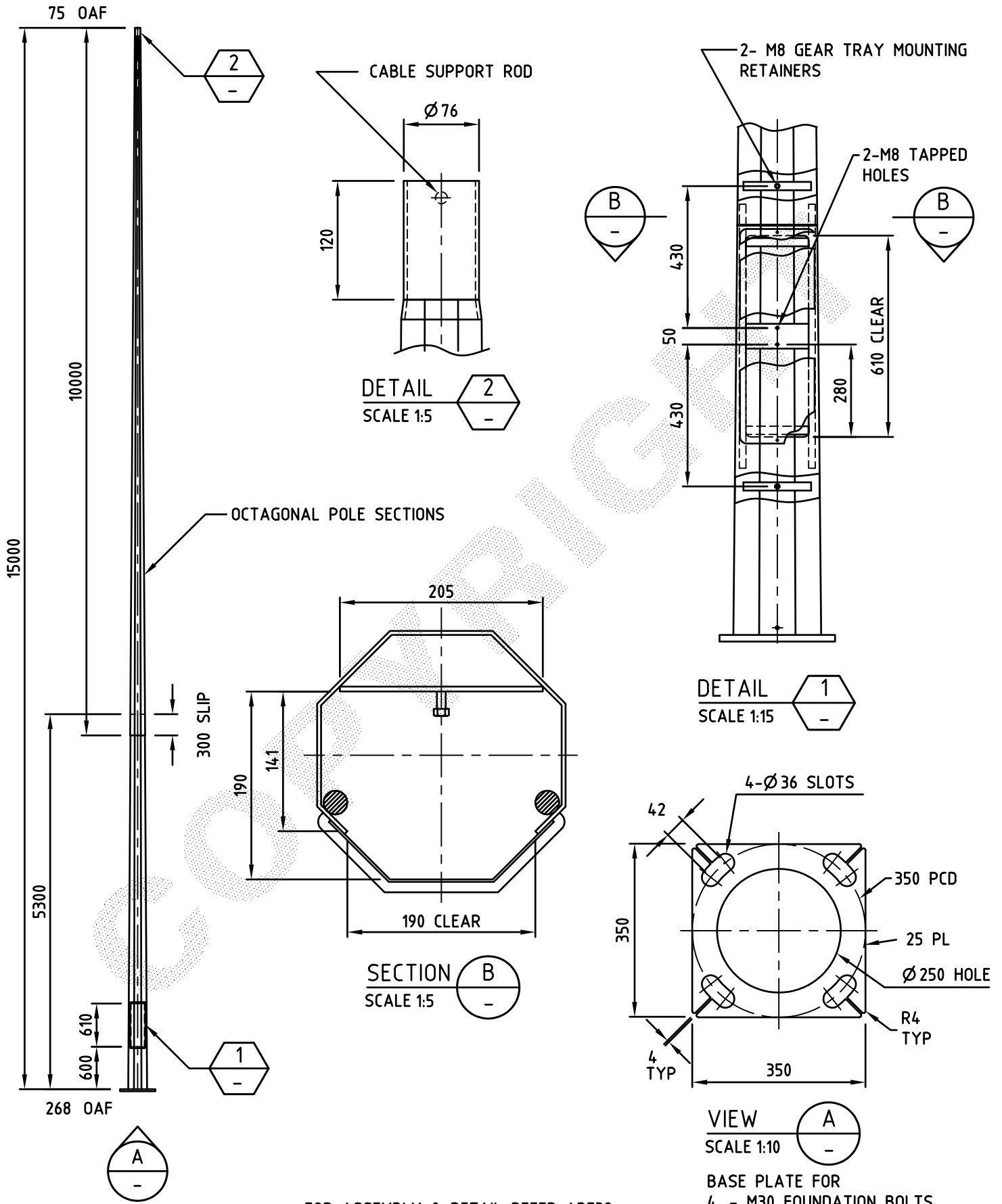
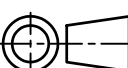


FOR GENERAL NOTES APPLICABLE TO THIS DRAWING REFER DRAWING GA1



FOR ASSEMBLY & DETAIL REFER AD732

PRODUCT WEIGHT 279 kg		CUSTOMER APPROVAL DATE		COPYRIGHT THIS DOCUMENT PRODUCED BY INGal EPS MUST NOT BE COPIED, TRACED, REPRODUCED, OR LENT WITHOUT WRITTEN CONSENT		INGAL EPS		PRODUCT NUMBER FPH15F	
				DIMENSIONS IN MILLIMETRES		FLOODLIGHTING PARK OCTAGONAL 15m 76 OD x 120 SPIGOT		DRAWING NUMBER GA51	
1 29/03/07 CHANGED STRAP WAS 195 NOW 205 JJ.M								SHEET NUMBER	
0 04/12/06 FIRST ISSUE JJ.M PRA				A4 DO NOT SCALE					
REV DATE DESCRIPTION BY CHKD				CHECKED BY PRA DATE 04/12/06		DATE 15/09/06		DRAWN BY J MARTIN	
CUSTOMER NAME / PROJECT				SCALE 1:70		CAD FILE No GA51			