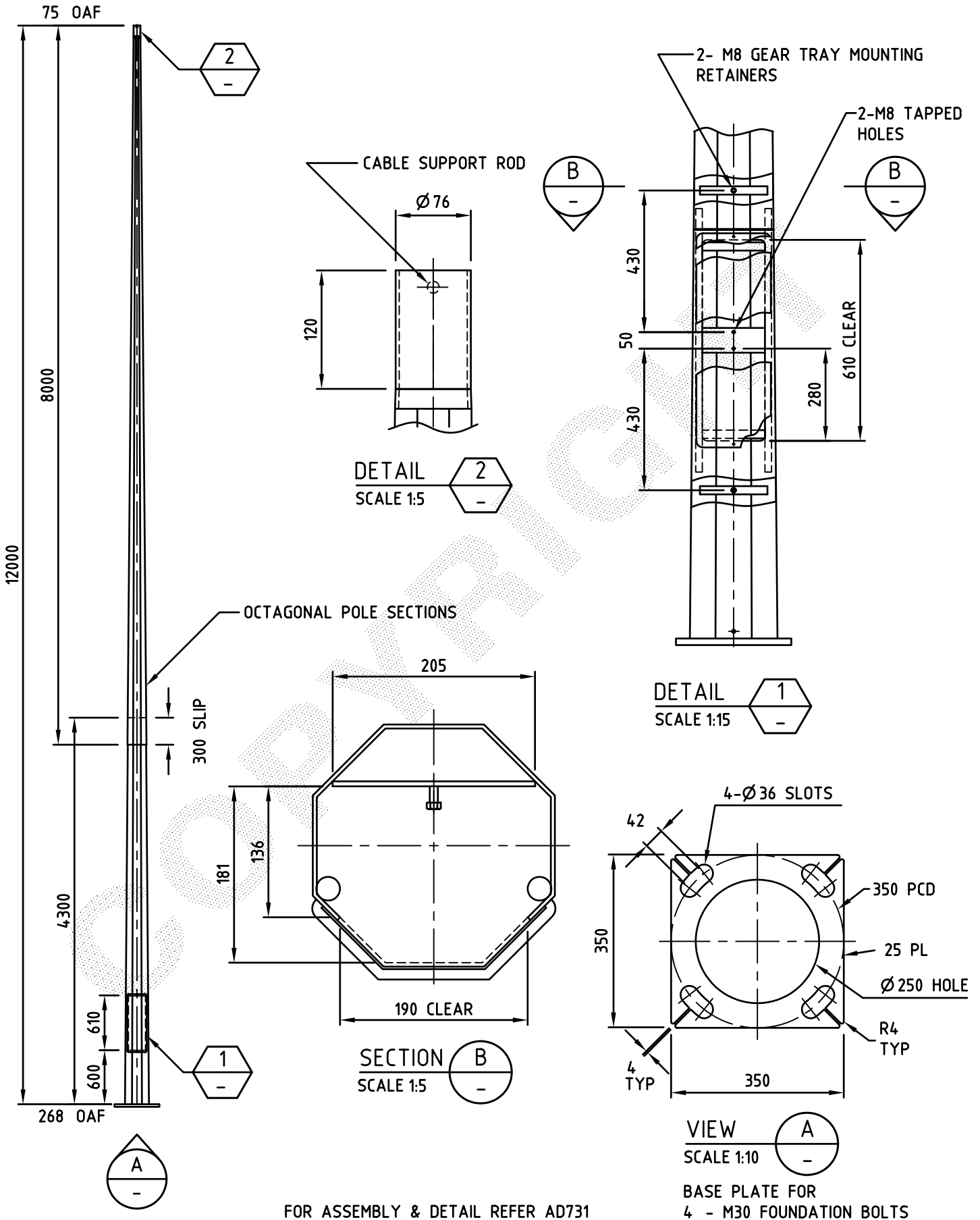



FOR GENERAL NOTES APPLICABLE TO THIS DRAWING REFER DRAWING GA1



FOR ASSEMBLY & DETAIL REFER AD731

|  |  |  |                  |   |                      |  |                     |
|--|--|--|------------------|---|----------------------|--|---------------------|
| <b>PRODUCT WEIGHT</b><br>230 kg  |  | CUSTOMER APPROVAL<br>DATE  |                  | COPYRIGHT<br>THIS DOCUMENT PRODUCED<br>BY INGAL EPS MUST NOT BE<br>COPIED, TRACED, REPRODUCED, OR<br>LENT WITHOUT WRITTEN CONSENT<br><b>INGAL EPS</b> |                      | PRODUCT NUMBER<br>FPH12F               |                     |
| 1 13/04/07 CHANGED STRAP WAS 195 NOW 205 JJ.M<br>0 04/12/06 FIRST ISSUE JJ.M PRA<br>REV DATE DESCRIPTION BY CHKD |  | DIMENSIONS IN MILLIMETRES<br> |                  | FLOODLIGHTING<br>PARK OCTAGONAL<br>12m<br>76 OD x 120 SPIGOT  |                      | DRAWING NUMBER<br>GA48<br>SHEET NUMBER |                     |
| CUSTOMER NAME / PROJECT  |  | CHECKED BY<br>PRA  | DATE<br>04/12/06 | DATE<br>14/09/06  | DRAWN BY<br>J MARTIN | SCALE<br>1:55                          | CAD FILE No<br>GA48 |