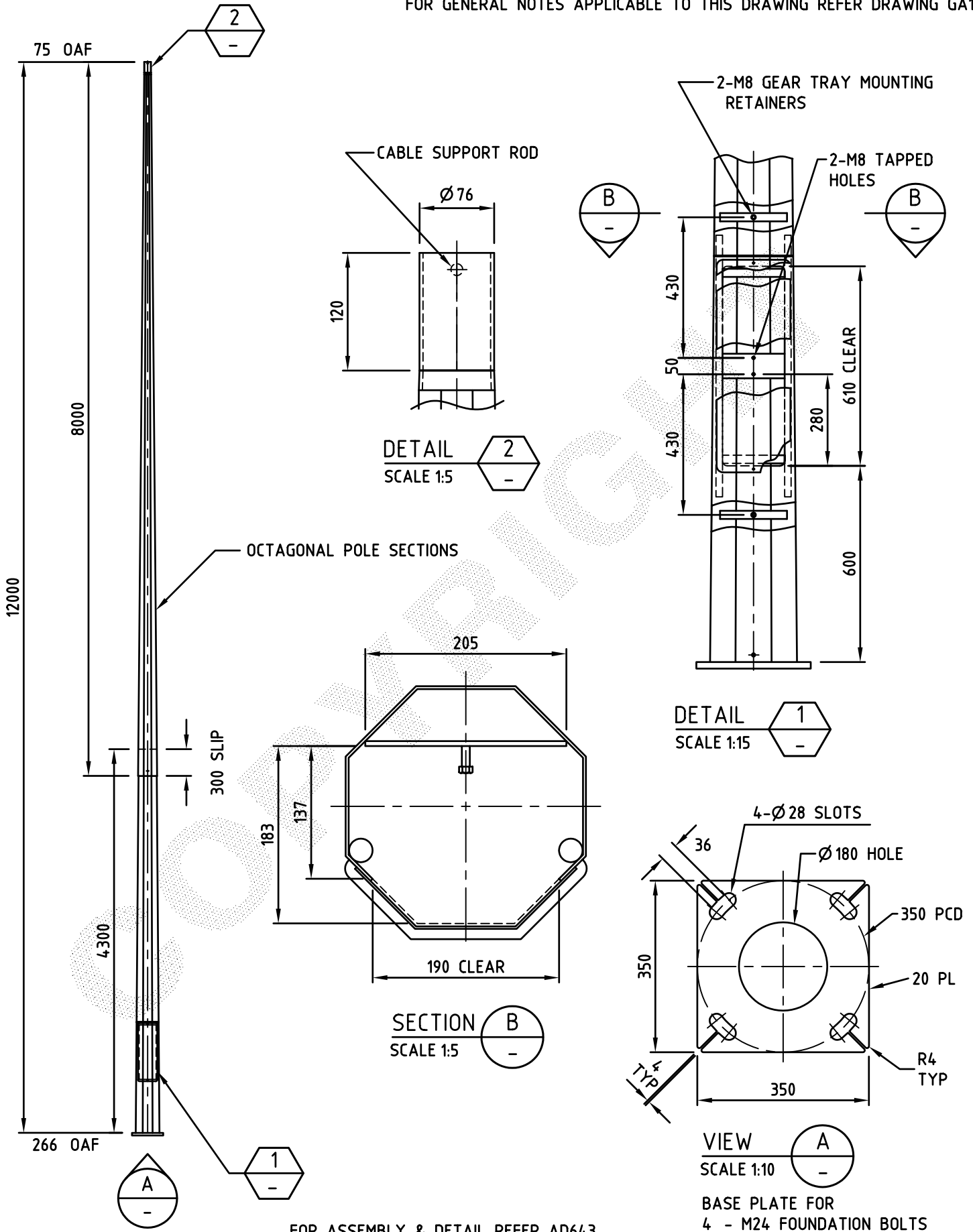


FOR GENERAL NOTES APPLICABLE TO THIS DRAWING REFER DRAWING GA1



FOR ASSEMBLY & DETAIL REFER AD643

BASE PLATE FOR  
4 - M24 FOUNDATION BOLTS

<b>PRODUCT WEIGHT</b> 204 kg		<b>CUSTOMER APPROVAL</b> DATE		COPYRIGHT THIS DOCUMENT PRODUCED BY INGal EPS MUST NOT BE COPIED, TRACED, REPRODUCED, OR LENT WITHOUT WRITTEN CONSENT		<b>INGAL EPS</b>		<b>PRODUCT NUMBER</b> FPM12F	
				DIMENSIONS IN MILLIMETRES		<b>FLOODLIGHTING</b> PARK OCTAGONAL 12m 76 OD x 120 SPIGOT		<b>DRAWING NUMBER</b> GA47	
				CHECKED BY: <b>A4</b> DO NOT SCALE		DATE: 20/03/07		SHEET NUMBER	
0 20/03/07 FIRST ISSUE		PB		CHECKED BY:		DATE: 22/08/06		SCALE: 1:55	
REV DATE DESCRIPTION		BY CHKD		DRAWN BY: P BENTZEN		CAD FILE No: GA47		CUSTOMER NAME / PROJECT	