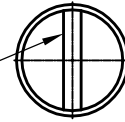
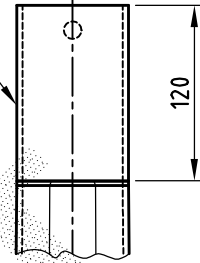


SECTION A
SCALE -NTS

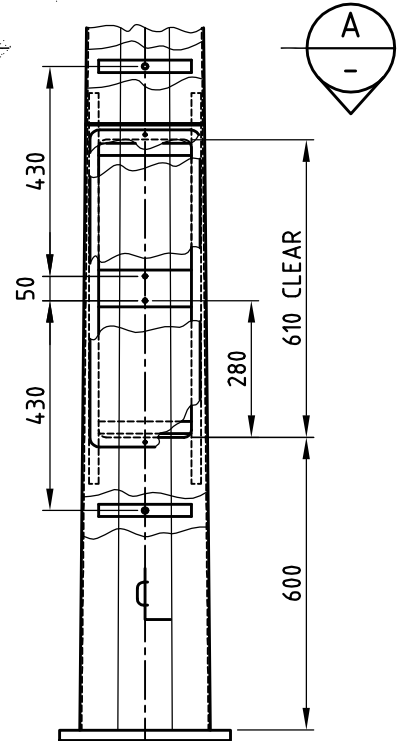
CABLE SUPPORT ROD
SUPPLIED AS STANDARD



76 OD SPIGOT

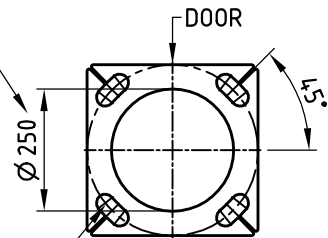


DETAIL 1
SCALE -NTS



DETAIL 2
SCALE -NTS

AVAILABLE FOR
CABLE ACCESS



4 OFF $\varnothing 36$ RADIAL SLOTS
TO SUIT M30 FOUNDATION
BOLTS ON 350 PCD.
BASE PLATE 350 x 350

VIEW B
SCALE -NTS

FOR ASSEMBLY & DETAIL REFER AD3047

PRODUCT WEIGHT 210 kg		CUSTOMER APPROVAL DATE		COPYRIGHT THIS DOCUMENT PRODUCED BY INGAL EPS MUST NOT BE COPIED, TRACED, REPRODUCED, OR LENT WITHOUT WRITTEN CONSENT		INGAL EPS		PRODUCT NUMBER FPH10F	
				DIMENSIONS IN MILLIMETRES		GENERAL ASSEMBLY OF FLOODLIGHTING 10m PARK OCTAGONAL 76 OD x 120 SPIGOT		DRAWING NUMBER GA45	
0 26/07/08 ISSUED FOR CONSTRUCTION S.K.P				A4 DO NOT SCALE				SHEET NUMBER	
REV	DATE	DESCRIPTION	BY	CHKD	CHECKED BY	DATE	DATE	DRAWN BY	SCALE
						26/07/08	26/07/08	S.K.PONNAMBATH	1:45
CUSTOMER NAME / PROJECT									CAD FILE No GA45