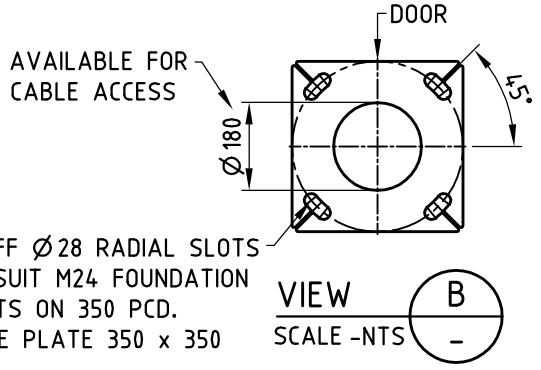
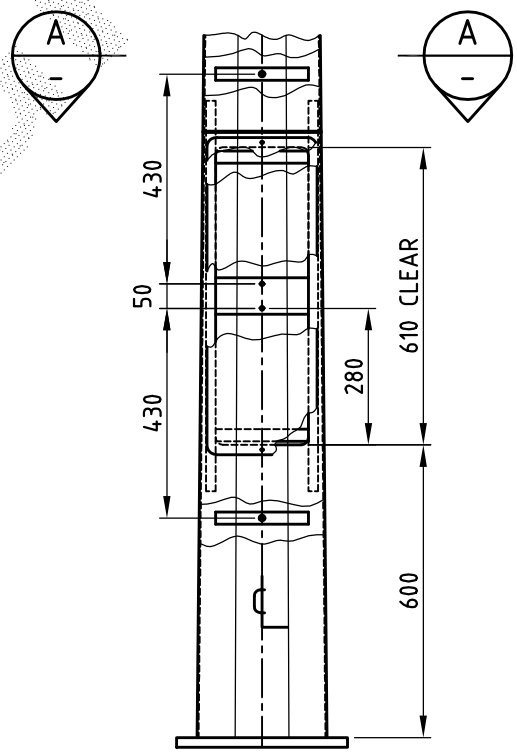
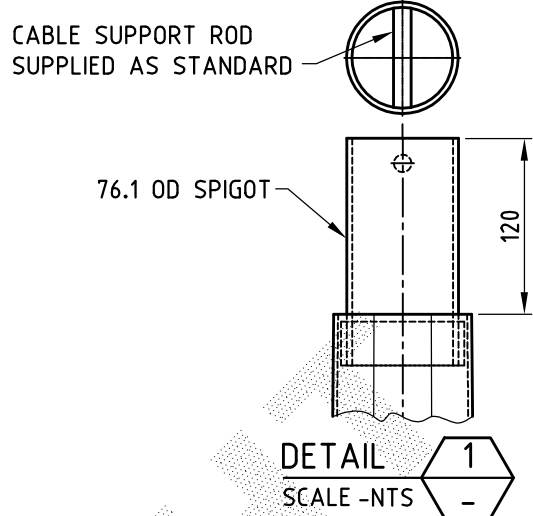
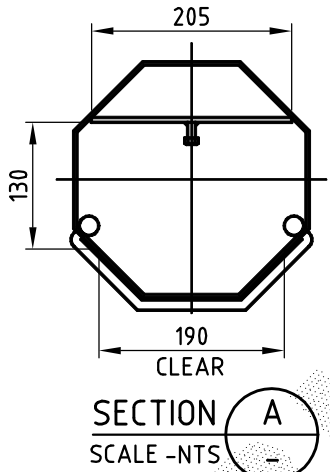
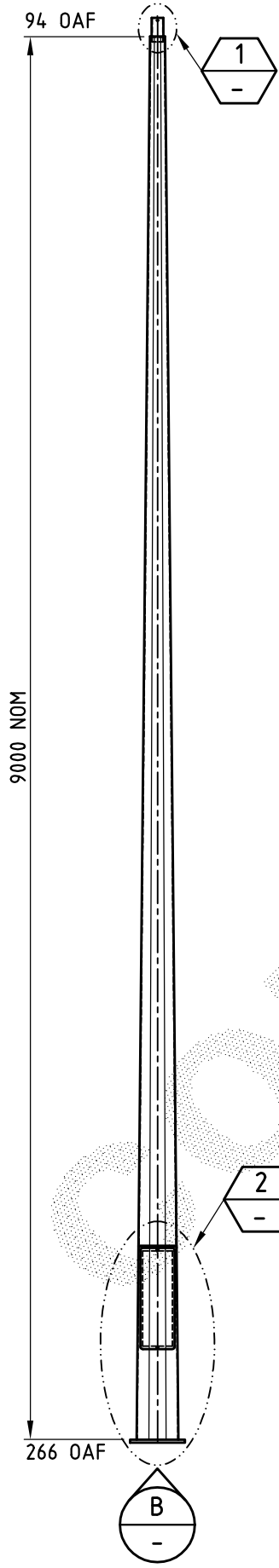


FOR GENERAL NOTES APPLICABLE TO THIS DRAWING REFER DRAWING GA1



FOR ASSEMBLY & DETAIL REFER AD3045

<b>PRODUCT WEIGHT</b> 158 kg		<b>CUSTOMER APPROVAL</b> DATE		COPYRIGHT THIS DOCUMENT PRODUCED BY IN GAL EPS MUST NOT BE COPIED, TRACED, REPRODUCED, OR LENT WITHOUT WRITTEN CONSENT		<b>INGAL EPS</b>		<b>PRODUCT NUMBER</b> FPM9F	
				DIMENSIONS IN MILLIMETRES		<b>GENERAL ASSEMBLY OF FLOODLIGHTING</b> 9m PARK OCTAGONAL 76 OD x 120 SPIGOT		<b>DRAWING NUMBER</b> GA42	
0 26/07/08 ISSUED FOR CONSTRUCTION S.K.P.				A4 DO NOT SCALE				<b>SHEET NUMBER</b>	
REV DATE DESCRIPTION BY CHKD		CHECKED BY DATE		DATE		DRAWN BY		SCALE 1:40 CAD FILE No GA42	
CUSTOMER NAME / PROJECT		26/07/08		26/07/08		S.K.PONNAMBATH			