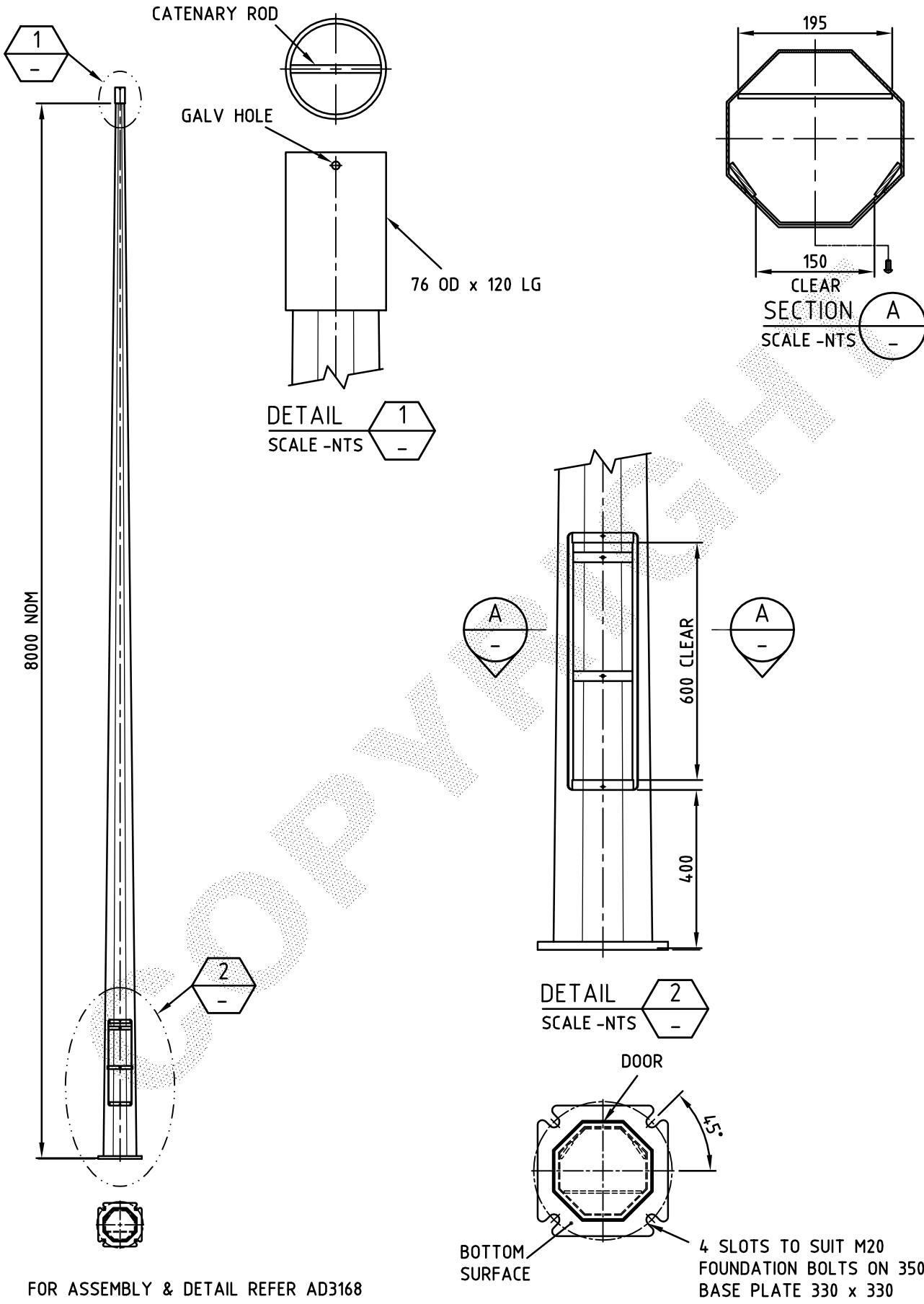


FOR GENERAL NOTES APPLICABLE TO THIS DRAWING REFER DRAWING GA1



FOR ASSEMBLY & DETAIL REFER AD3168

PRODUCT WEIGHT 108 kg		CUSTOMER APPROVAL DATE		COPYRIGHT THIS DOCUMENT PRODUCED BY INgal EPS MUST NOT BE COPIED, TRACED, REPRODUCED, OR LENT WITHOUT WRITTEN CONSENT		INGAL EPS		PRODUCT NUMBER FPL8F	
				DIMENSIONS IN MILLIMETRES		GENERAL ARRANGEMENT OF 8m LIGHT DUTY PARK RANGE WITH 600 x 150 CLEAR ACCESS DOOR BASE PLATE MOUNTED		DRAWING NUMBER GA41	
0 03/04/08 ISSUED FOR CONSTRUCTION S.K.P.		DETAILS TAKEN FROM PT-STD-00-31 REV2		A4 DO NOT SCALE				SHEET NUMBER	
REV	DATE	DESCRIPTION	BY	CHKD	CHECKED BY	DATE	DRAWN BY	SCALE	CAD FILE No
		CUSTOMER NAME / PROJECT				03/04/08	S.K.PONNAMBATH	1:40	GA41