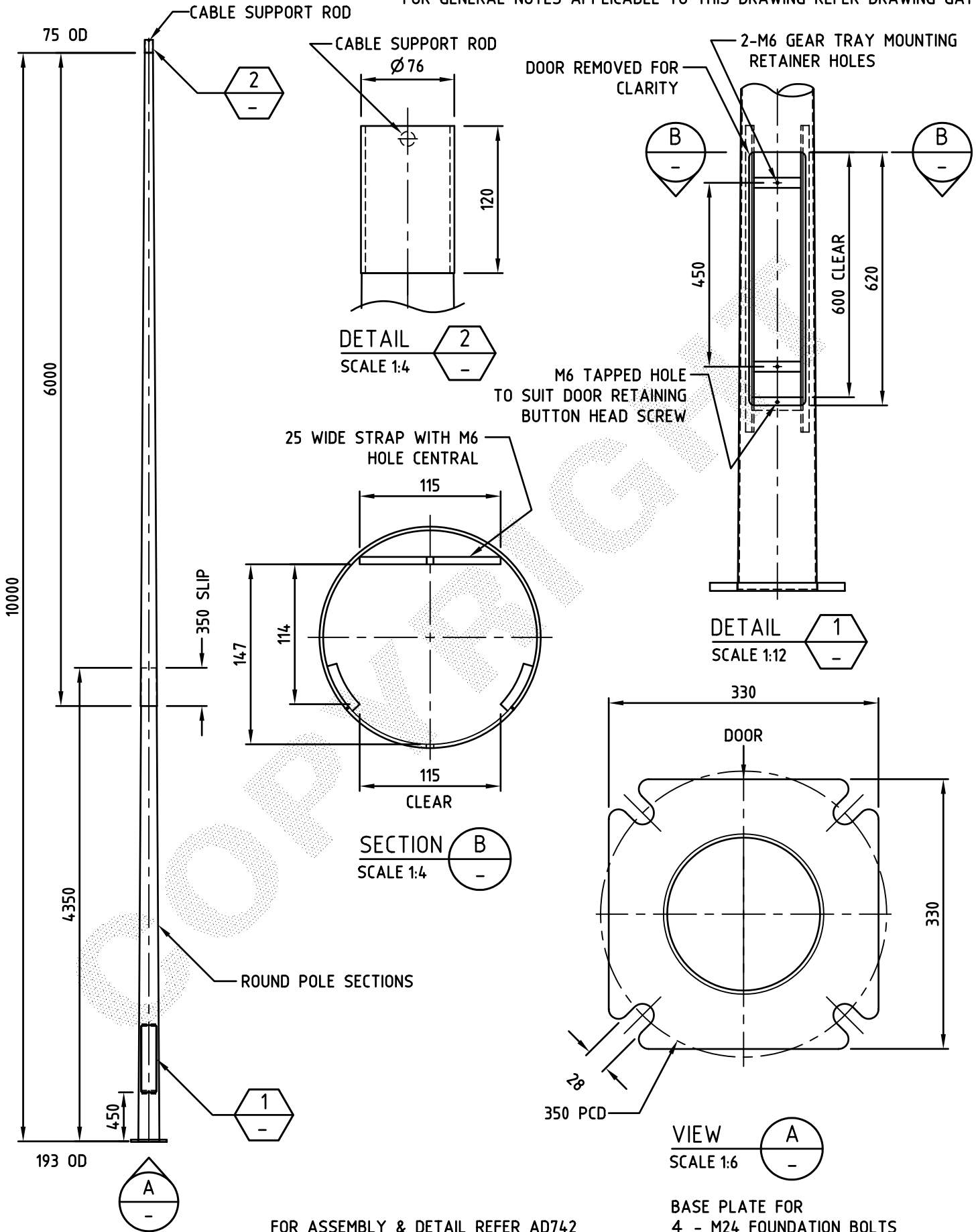



FOR GENERAL NOTES APPLICABLE TO THIS DRAWING REFER DRAWING GA1



FOR ASSEMBLY & DETAIL REFER AD742

BASE PLATE FOR
4 - M24 FOUNDATION BOLTS

PRODUCT WEIGHT 122 kg		CUSTOMER APPROVAL DATE		COPYRIGHT THIS DOCUMENT PRODUCED BY IN GAL EPS MUST NOT BE COPIED, TRACED, REPRODUCED, OR LENT WITHOUT WRITTEN CONSENT		INGAL EPS		PRODUCT NUMBER FBM10FR	
				DIMENSIONS IN MILLIMETRES		FLOODLIGHTING BOULEVARD ROUND 10m		DRAWING NUMBER GA37	
						76 OD x 120 SPIGOT		SHEET NUMBER	
0	04/07/07	FIRST ISSUE		J.M		A4 DO NOT SCALE			
REV	DATE	DESCRIPTION	BY	CHKD		CHECKED BY DATE 29/09/06	DATE 28/09/06	DRAWN BY J MARTIN	SCALE 1:45
CUSTOMER NAME / PROJECT					CHECKED BY DATE 29/09/06	DATE 28/09/06	DRAWN BY J MARTIN	SCALE 1:45	CAD FILE No GA37