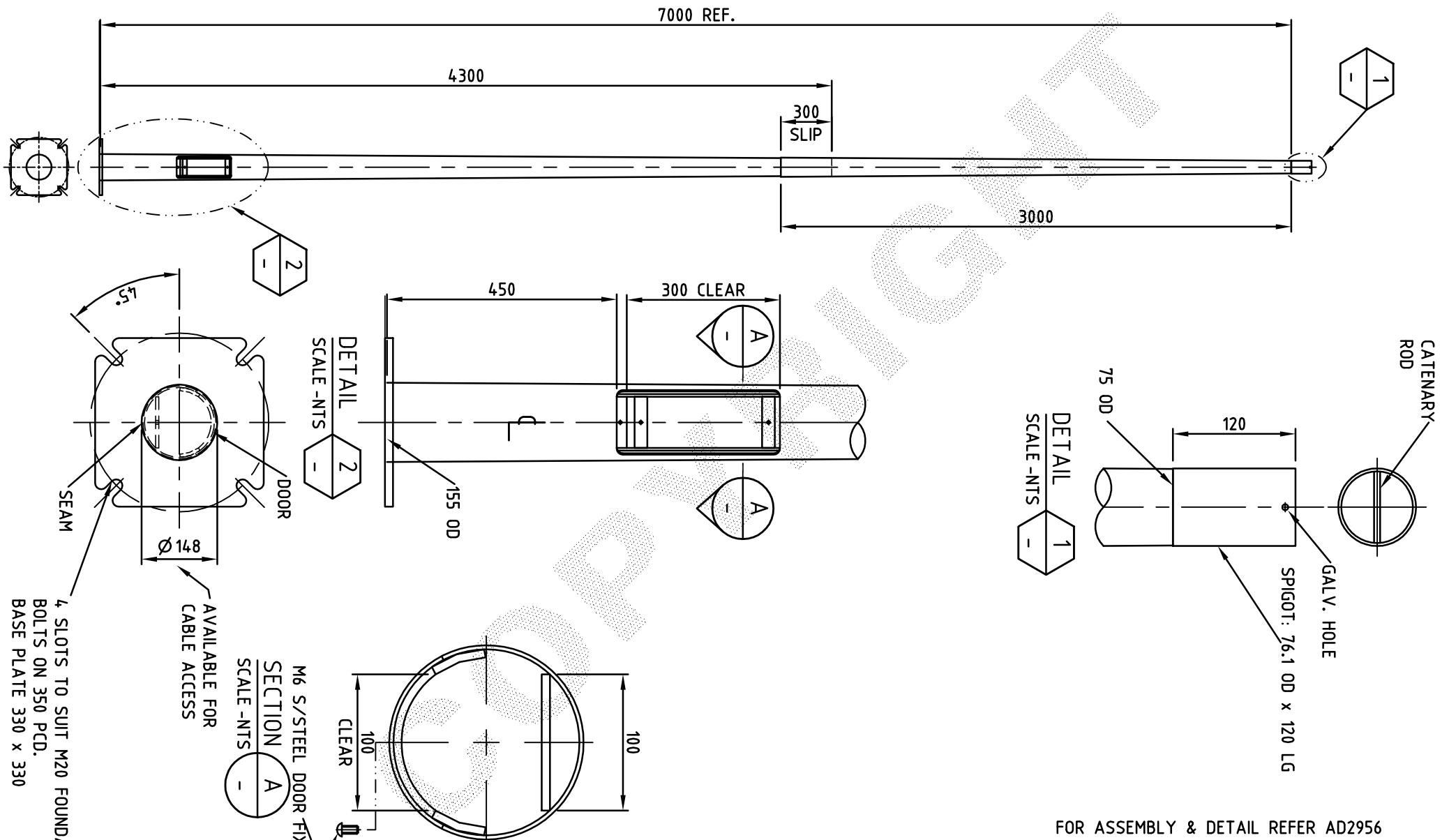


FOR GENERAL NOTES APPLICABLE TO THIS DRAWING REFER DRAWING GA1



FOR ASSEMBLY & DETAIL REFER AD2956

PRODUCT WEIGHT 79 kg		CUSTOMER APPROVAL DATE		COPYRIGHT THIS DOCUMENT PRODUCED BY INGAL EPS MUST NOT BE COPIED, TRACED, REPRODUCED, OR LENT WITHOUT WRITTEN CONSENT		INGAL EPS		PRODUCT NUMBER FBM7FR	
				DIMENSIONS IN MILLIMETRES		GENERAL ARRANGEMENT OF 7m BOULEVARD MEDIUM RANGE POLE WITH 300 x 100 CLEAR DOOR BASE PLATE MOUNTED		DRAWING NUMBER GA35	
0 08/02/08 ISSUED FOR CONSTRUCTION S.K.P. DETAILS TAKEN FROM DRG. No. PT-STD-99-58		REV DATE DESCRIPTION BY CHKD		A4 DO NOT SCALE				SHEET NUMBER	
CUSTOMER NAME / PROJECT		CHECKED BY DATE 08/02/08		DATE 08/02/08		DRAWN BY S.K.PONNAMBATH		SCALE 1:30	
								CAD FILE No GA35	