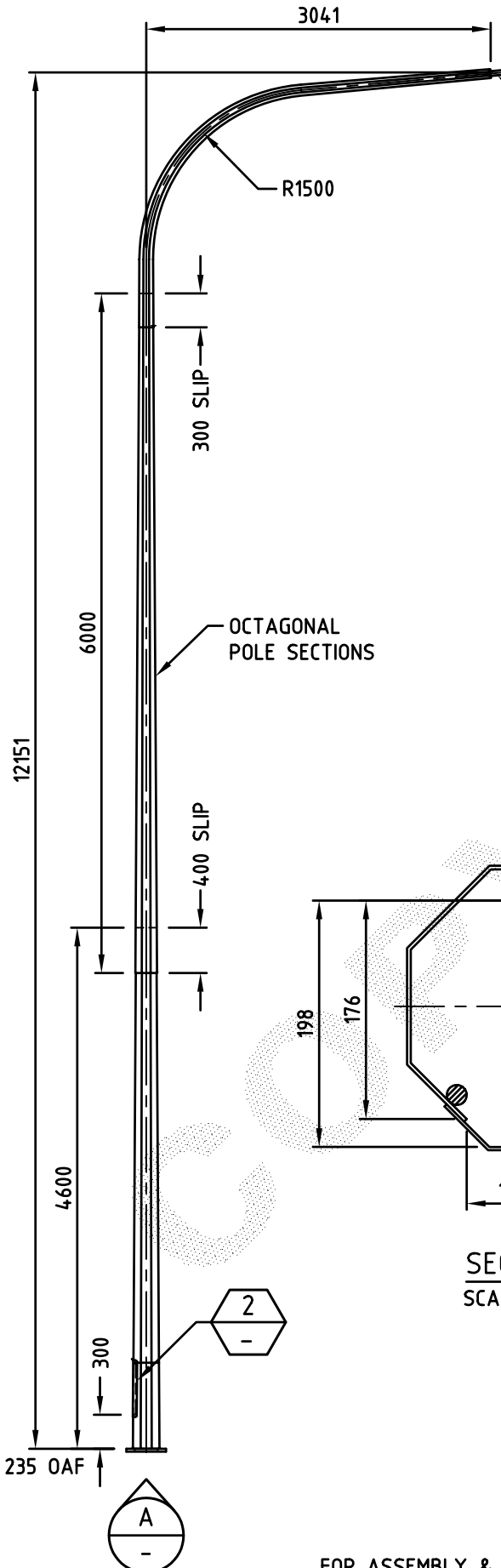
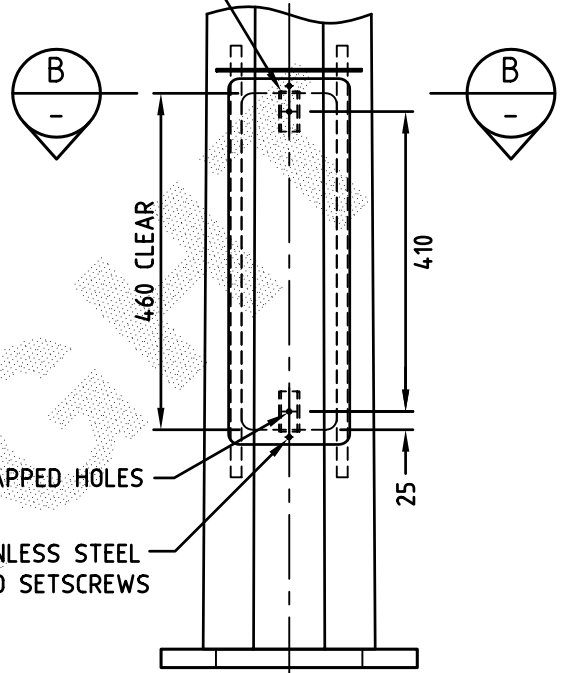


FOR GENERAL NOTES APPLICABLE TO THIS DRAWING REFER DRAWING GA1




42 OD SPIGOT x 120 LONG
AT 5° UPCAST FOR
CUSTOMER SUPPLIED
LUMINAIRE

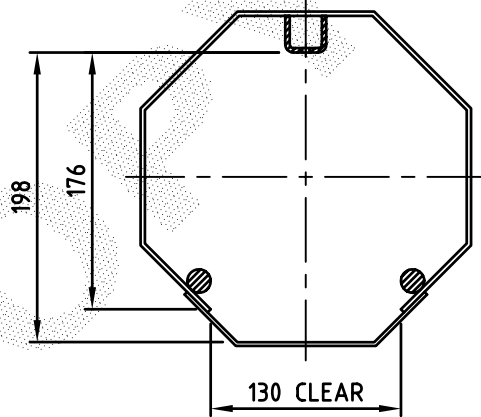
CONTROL GEAR MOUNTING
STAND OFF



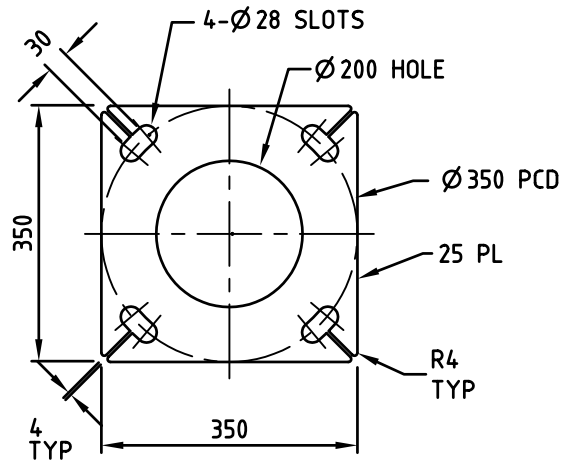
2 - M6 TAPPED HOLES

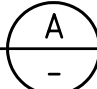
2 - M6 STAINLESS STEEL
BUTTON HEAD SETSCREWS

DETAIL 
SCALE 1:10



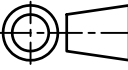
SECTION 
SCALE 1:5



VIEW 
SCALE 1:10

BASE PLATE FOR
4 - M24 FOUNDATION BOLTS

FOR ASSEMBLY & DETAIL REFER AD

PRODUCT WEIGHT 208 kg		CUSTOMER APPROVAL DATE		COPYRIGHT THIS DOCUMENT PRODUCED BY INGAL EPS MUST NOT BE COPIED, TRACED, REPRODUCED, OR LENT WITHOUT WRITTEN CONSENT		INGAL EPS		PRODUCT NUMBER SFL12FS030-42	
				DIMENSIONS IN MILLIMETRES		STREET LIGHTING FREEWAY 12m WITH 3m SINGLE OUTREACH 42 OD x 120 SPIGOT		DRAWING NUMBER GA341	
0 22/03/07 FIRST ISSUE		J.M.				A4 DO NOT SCALE		SHEET NUMBER	
REV DATE DESCRIPTION		BY CHKD		CHECKED BY DATE		DATE		SCALE 1:55	
CUSTOMER NAME / PROJECT		22/03/07		20/03/07		DRAWN BY J. MARTIN		CAD FILE No GA341	