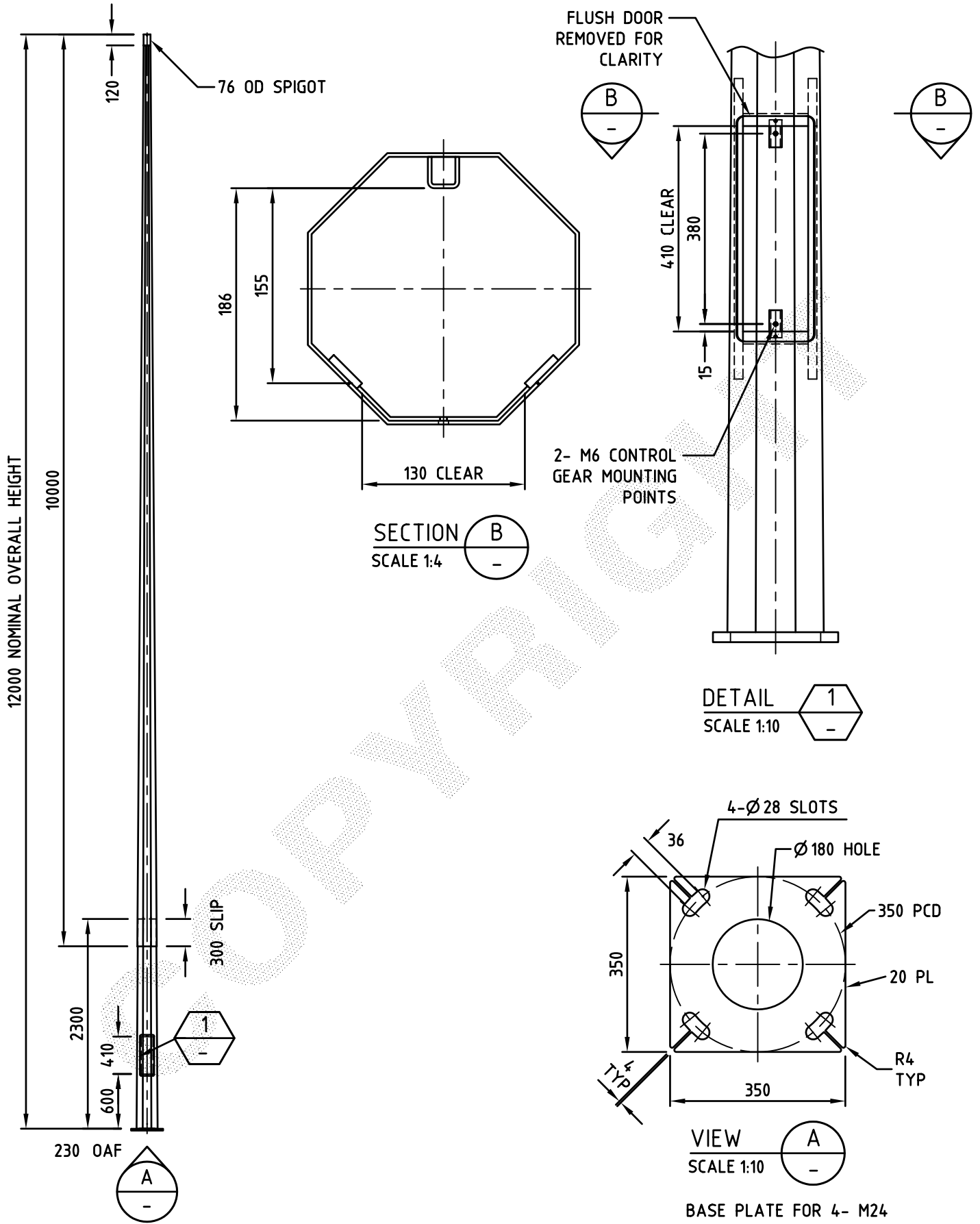


FOR GENERAL NOTES APPLICABLE TO THIS DRAWING REFER DRAWING GA1



FOR ASSEMBLY & DETAIL REFER AD819

PRODUCT WEIGHT 177 kg		CUSTOMER APPROVAL DATE		COPYRIGHT THIS DOCUMENT PRODUCED BY INGAL EPS MUST NOT BE COPIED, TRACED, REPRODUCED, OR LENT WITHOUT WRITTEN CONSENT		INGAL EPS		PRODUCT NUMBER FBM12F	
				DIMENSIONS IN MILLIMETRES		FLOODLIGHTING BOULEVARD OCTAGONAL 12m 76 OD x 120 SPIGOT		DRAWING NUMBER GA28	
0 05/10/06 FIRST ISSUE		J.M.		A4 DO NOT SCALE				SHEET NUMBER	
REV DATE DESCRIPTION		BY CHKD		CHECKED BY DATE		DATE		SCALE 1:55	
CUSTOMER NAME / PROJECT				05/10/06		04/10/06		DRAWN BY J. MARTIN	
								CAD FILE No GA28	