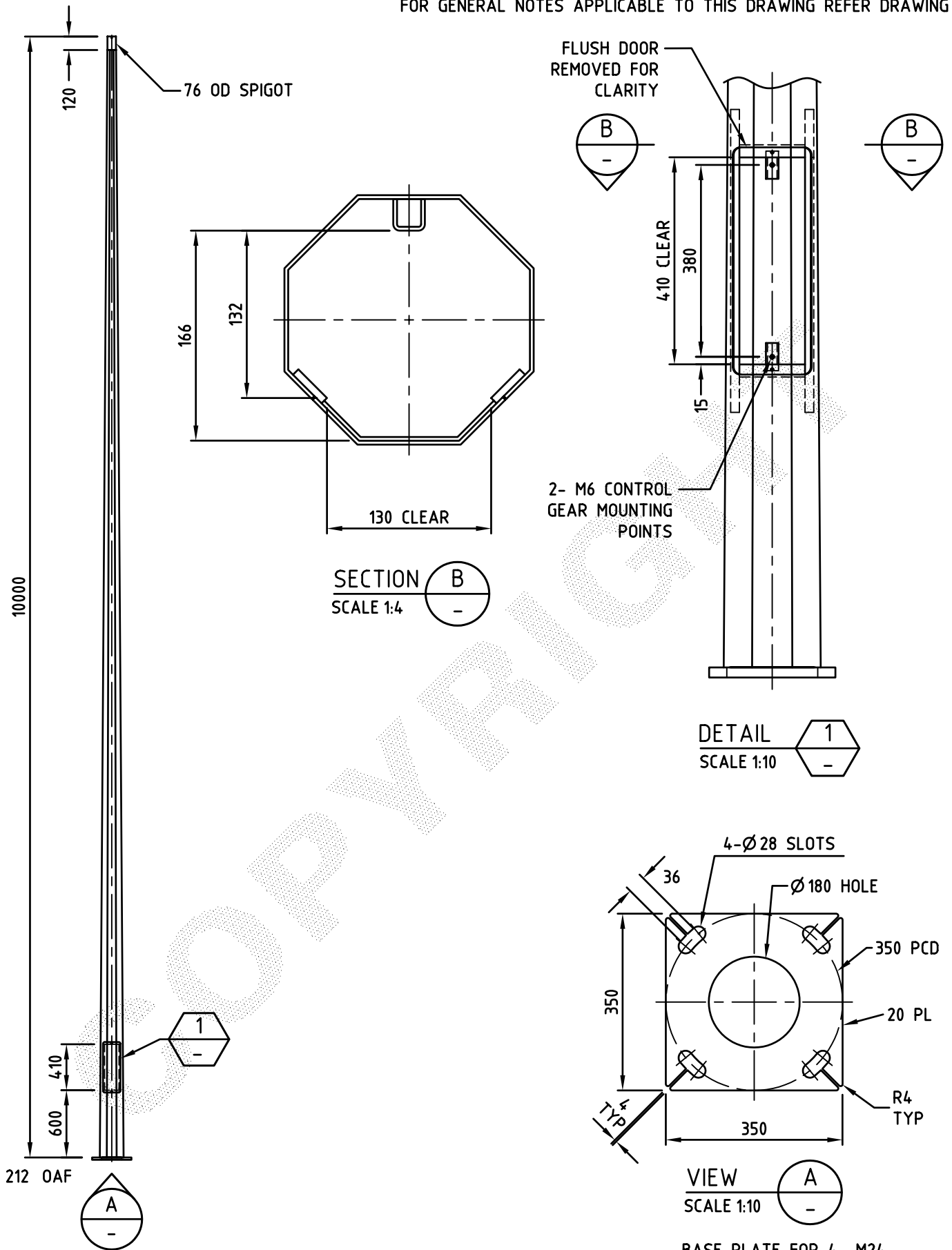


FOR GENERAL NOTES APPLICABLE TO THIS DRAWING REFER DRAWING GA1



FOR ASSEMBLY & DETAIL REFER AD818

<b>PRODUCT WEIGHT</b> 136 kg		<b>CUSTOMER APPROVAL</b> DATE		COPYRIGHT THIS DOCUMENT PRODUCED BY INGAL EPS MUST NOT BE COPIED, TRACED, REPRODUCED, OR LENT WITHOUT WRITTEN CONSENT		<b>INGAL EPS</b>		<b>PRODUCT NUMBER</b> FBM10F	
				DIMENSIONS IN MILLIMETRES		<b>FLOODLIGHTING</b> BOULEVARD OCTAGONAL 10m 76 OD x 120 SPIGOT		<b>DRAWING NUMBER</b> GA27	
0 05/10/06 FIRST ISSUE		J.M.		A4 DO NOT SCALE				<b>SHEET NUMBER</b>	
REV DATE DESCRIPTION		BY CHKD		CHECKED BY DATE		DATE		SCALE 1:45	
CUSTOMER NAME / PROJECT				05/10/06		04/10/06		DRAWN BY J. MARTIN	
								CAD FILE No GA27	