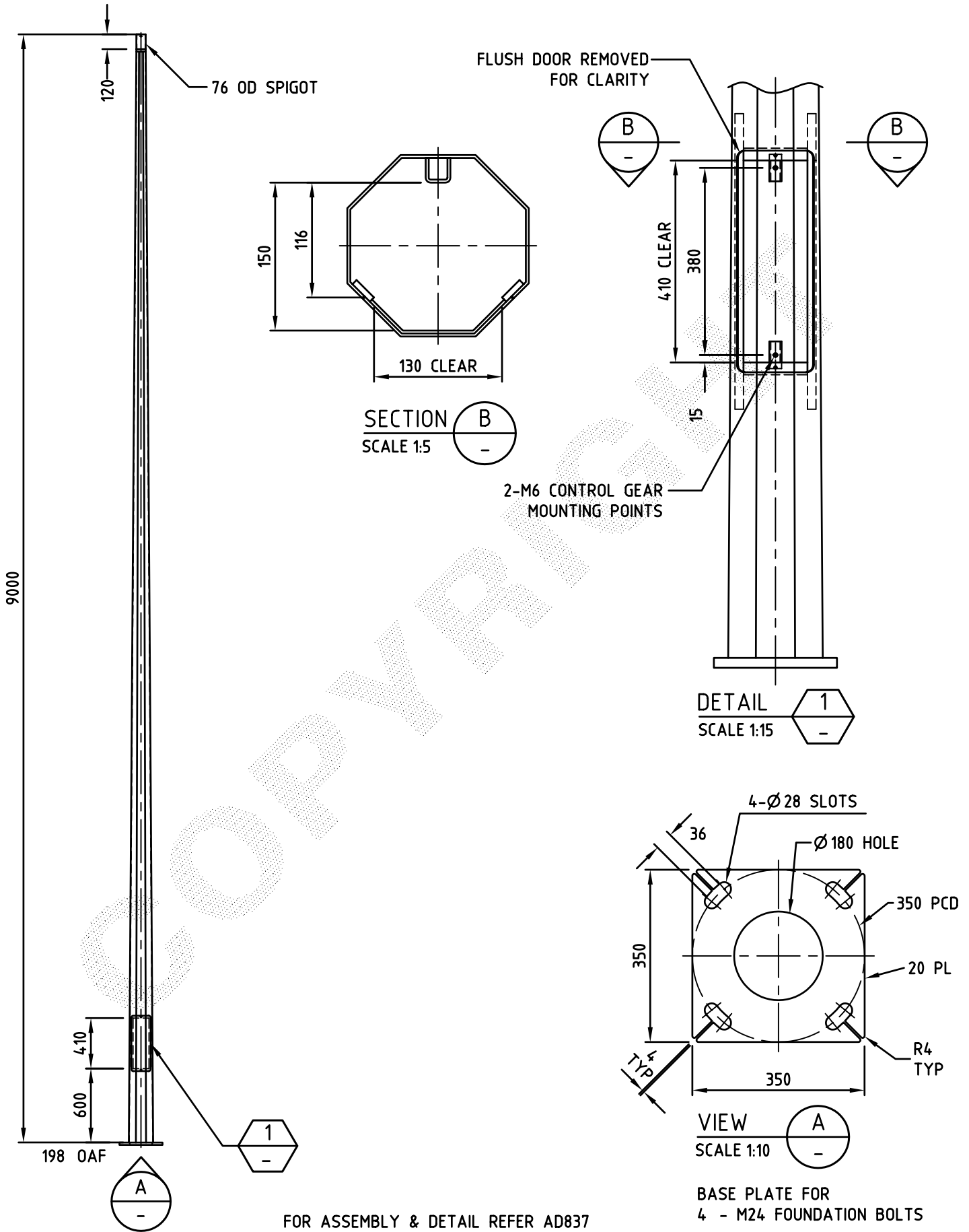



FOR GENERAL NOTES APPLICABLE TO THIS DRAWING REFER DRAWING GA1



PRODUCT WEIGHT 119 kg		CUSTOMER APPROVAL DATE		COPYRIGHT THIS DOCUMENT PRODUCED BY INGal EPS MUST NOT BE COPIED, TRACED, REPRODUCED, OR LENT WITHOUT WRITTEN CONSENT		INGAL EPS		PRODUCT NUMBER FBM9F	
				DIMENSIONS IN MILLIMETRES		FLOODLIGHTING BOULEVARD OCTAGONAL 9m		DRAWING NUMBER GA25	
				 A4 DO NOT SCALE		76 OD x 120 SPIGOT		SHEET NUMBER	
0	10/10/06	FIRST ISSUE		BY	J.M	CHECKED BY	DATE	DATE	SCALE
REV	DATE	DESCRIPTION		BY	CHKD	10/10/06	09/10/06	1:40	CAD FILE No
CUSTOMER NAME / PROJECT									GA25