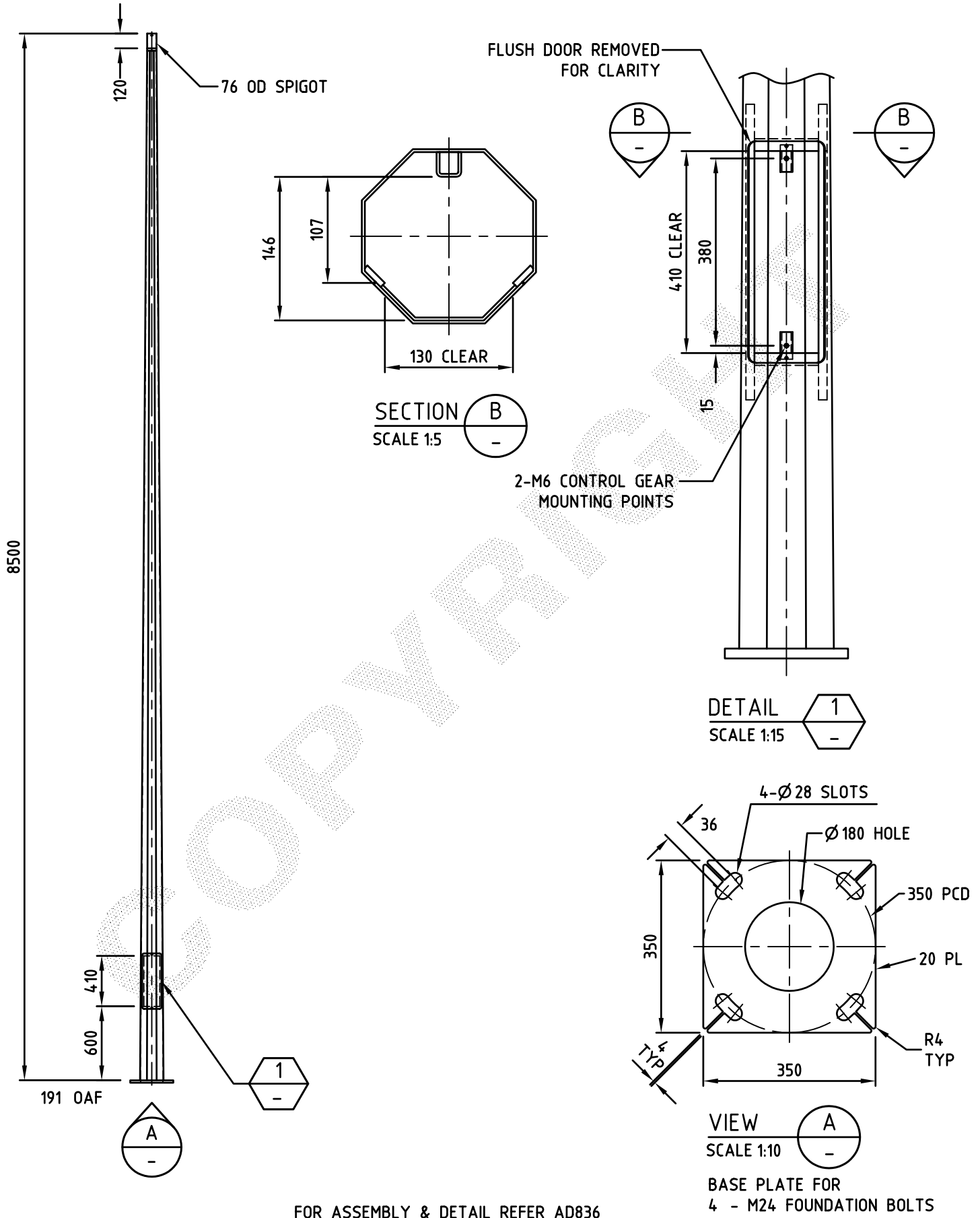


FOR GENERAL NOTES APPLICABLE TO THIS DRAWING REFER DRAWING GA1



FOR ASSEMBLY & DETAIL REFER AD836

PRODUCT WEIGHT 110 kg		CUSTOMER APPROVAL DATE		COPYRIGHT THIS DOCUMENT PRODUCED BY INGal EPS MUST NOT BE COPIED, TRACED, REPRODUCED, OR LENT WITHOUT WRITTEN CONSENT		INGAL EPS		PRODUCT NUMBER FBM85F	
				DIMENSIONS IN MILLIMETRES		FLOODLIGHTING BOULEVARD OCTAGONAL 8.5m		DRAWING NUMBER GA23	
				A4 DO NOT SCALE		76 OD x 120 SPIGOT		SHEET NUMBER	
0	10/10/06	FIRST ISSUE	J.M	BY	CHKD	CHECKED BY	DATE	DATE	DRAWN BY
							10/10/06	09/10/06	J. MARTIN
CUSTOMER NAME / PROJECT								SCALE	CAD FILE No
								1:40	GA23