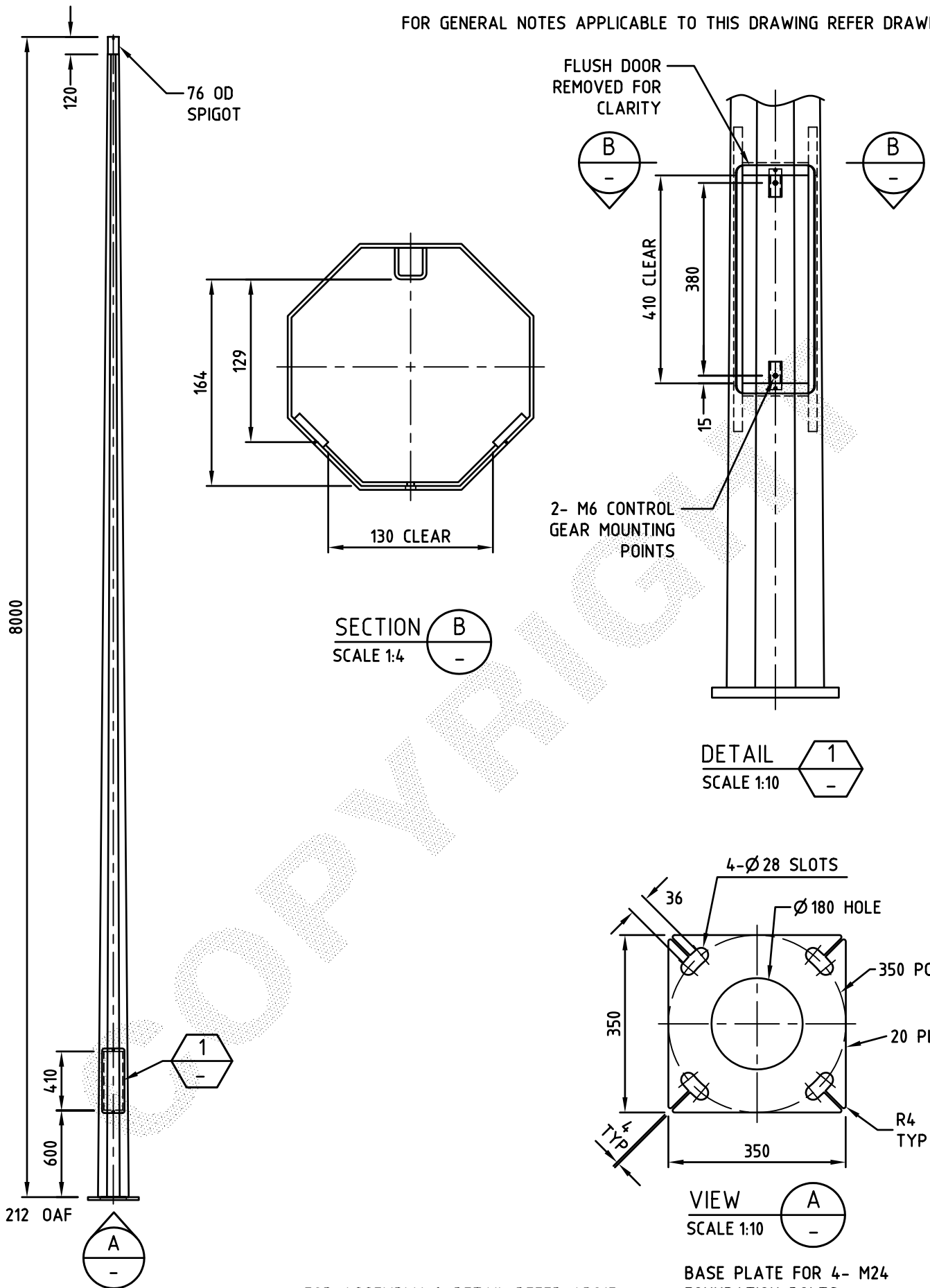


FOR GENERAL NOTES APPLICABLE TO THIS DRAWING REFER DRAWING GA1



FOR ASSEMBLY & DETAIL REFER AD817

BASE PLATE FOR 4- M24 FOUNDATION BOLTS

<b>PRODUCT WEIGHT</b> 116 kg		<b>CUSTOMER APPROVAL</b> DATE		COPYRIGHT THIS DOCUMENT PRODUCED BY INGal EPS MUST NOT BE COPIED, TRACED, REPRODUCED, OR LENT WITHOUT WRITTEN CONSENT		<b>INGAL EPS</b>		<b>PRODUCT NUMBER</b> FBM8F	
				DIMENSIONS IN MILLIMETRES		<b>FLOODLIGHTING BOULEVARD OCTAGONAL</b> 8m		<b>DRAWING NUMBER</b> GA21	
						<b>76 OD x 120 SPIGOT</b>		<b>SHEET NUMBER</b>	
0	04/10/06	FIRST ISSUE		J.M.		<b>A4 DO NOT SCALE</b>			
REV	DATE	DESCRIPTION	BY	CHKD		CHECKED BY	DATE	DRAWN BY	SCALE
							04/10/06	J. MARTIN	1:35
CUSTOMER NAME / PROJECT								CAD FILE No GA21	