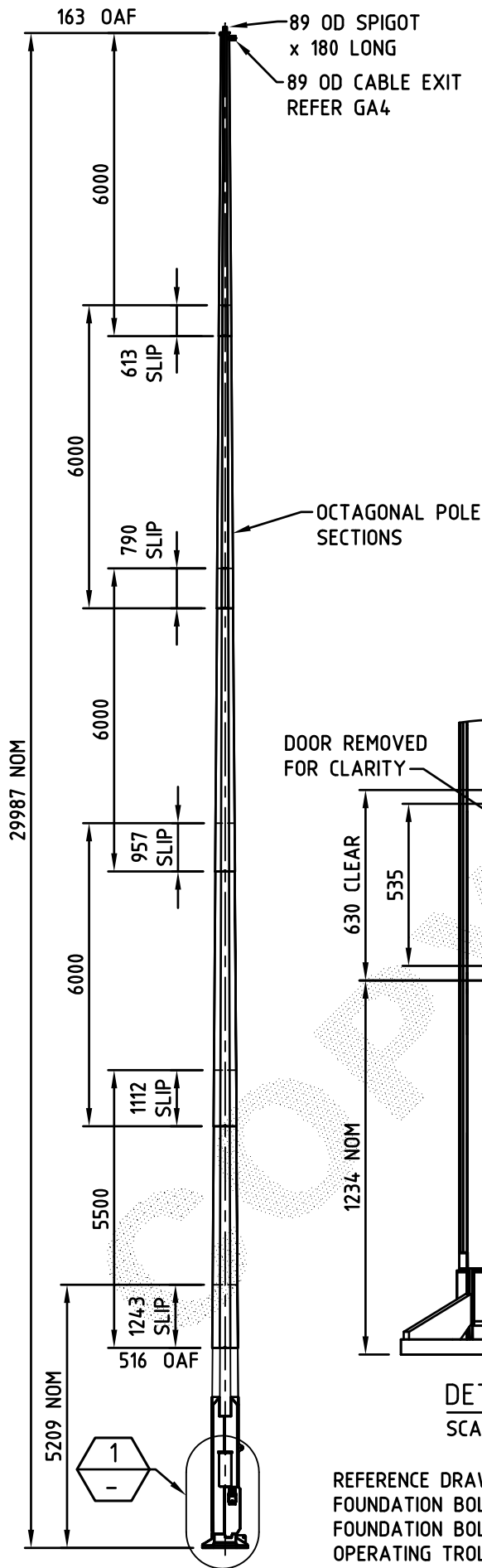
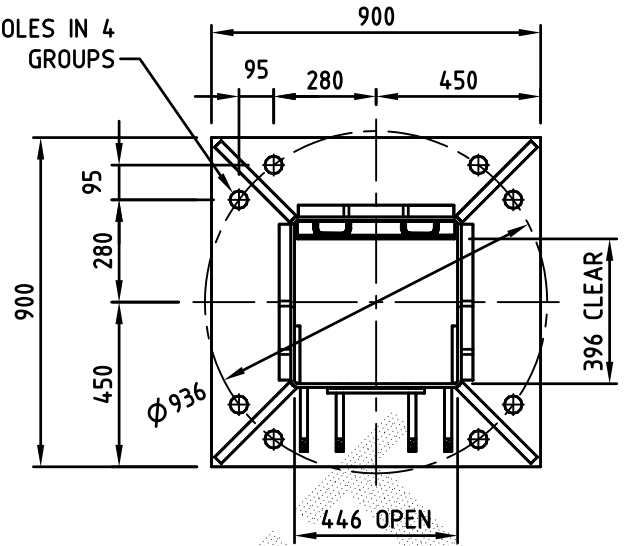


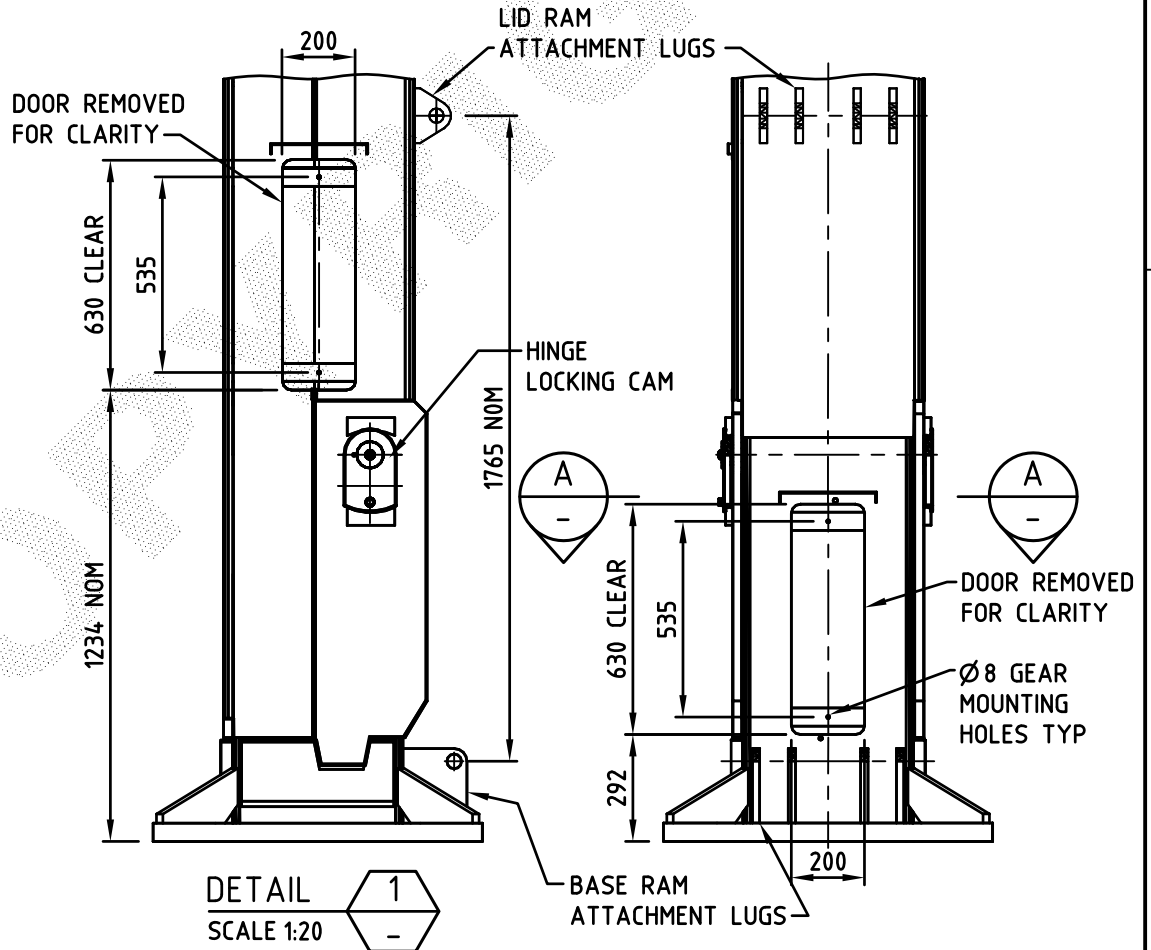
FOR GENERAL NOTES APPLICABLE TO THIS DRAWING REFER DRAWING GA1



89 OD SPIGOT x 180 LONG  
89 OD CABLE EXIT REFER GA4



SECTION **A**  
SCALE 1:20  
(LID REMOVED)  
BASEPLATE FOR 8- M42  
FOUNDATION BOLTS



DETAIL **1**  
SCALE 1:20

REFERENCE DRAWINGS  
FOUNDATION BOLT - AD29  
FOUNDATION BOLT TEMPLATE - AD30  
OPERATING TROLLEY - PL 150

FOR ASSEMBLY & DETAIL REFER AD6997

<b>PRODUCT WEIGHT</b> 2804 kg	CUSTOMER APPROVAL DATE		COPYRIGHT THIS DOCUMENT PRODUCED BY INGAL EPS MUST NOT BE COPIED, TRACED, REPRODUCED, OR LENT WITHOUT WRITTEN CONSENT	<b>INGAL EPS</b>	PRODUCT NUMBER PPH30F	
	DIMENSIONS IN MILLIMETRES				DRAWING NUMBER GA201	
0 27/01/12 FIRST ISSUE I.W.		BY CHKD		LOWERING SYSTEM POWERLIFT 30m		SHEET NUMBER
REV DATE DESCRIPTION		A4 DO NOT SCALE		89 OD x 180 LONG SPIGOT		SCALE 1:20
CUSTOMER NAME / PROJECT		CHECKED BY DATE 25/01/12	DATE 25/01/12	DRAWN BY I. WHITE	CAD FILE No GA201	