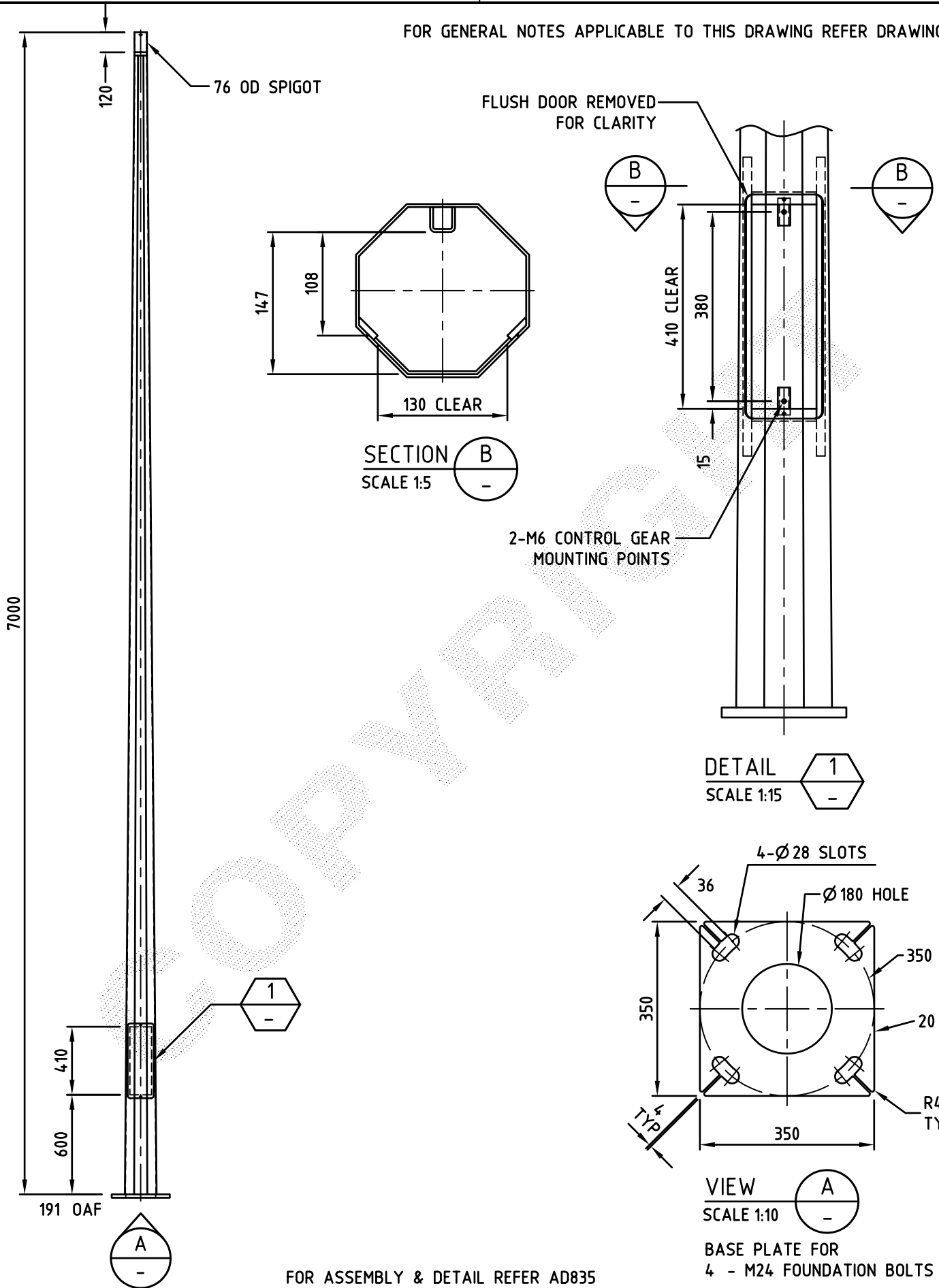


FOR GENERAL NOTES APPLICABLE TO THIS DRAWING REFER DRAWING GA1



FOR ASSEMBLY & DETAIL REFER AD835

DETAIL 1
SCALE 1:15

VIEW A
SCALE 1:10

BASE PLATE FOR
4 - M24 FOUNDATION BOLTS

PRODUCT WEIGHT 110 kg	CUSTOMER APPROVAL DATE	<small>COPYRIGHT THIS DOCUMENT PRODUCED BY INGal EPS MUST NOT BE COPIED, TRACED, REPRODUCED, OR LENT WITHOUT WRITTEN CONSENT</small>	INGAL EPS	PRODUCT NUMBER FBM7F
		<small>DIMENSIONS IN MILLIMETRES</small>	FLOODLIGHTING BOULEVARD OCTAGONAL 7m 76 OD x 120 SPIGOT	DRAWING NUMBER GA19
				SHEET NUMBER
0	10/10/06	FIRST ISSUE	J.M	
REV	DATE	DESCRIPTION	BY	CHKD
CUSTOMER NAME / PROJECT		CHCKD	DATE	SCALE
		A4	10/10/06	1:30
		CHECKED BY	DATE	CAD FILE No
			09/10/06	GA19
			DRAWN BY	
			J. MARTIN	