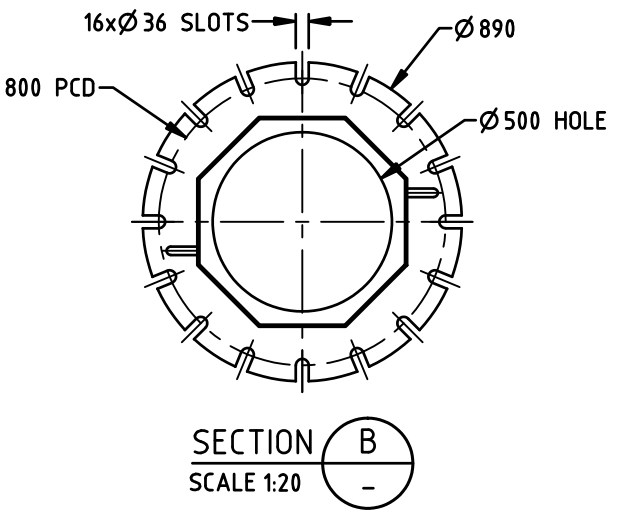
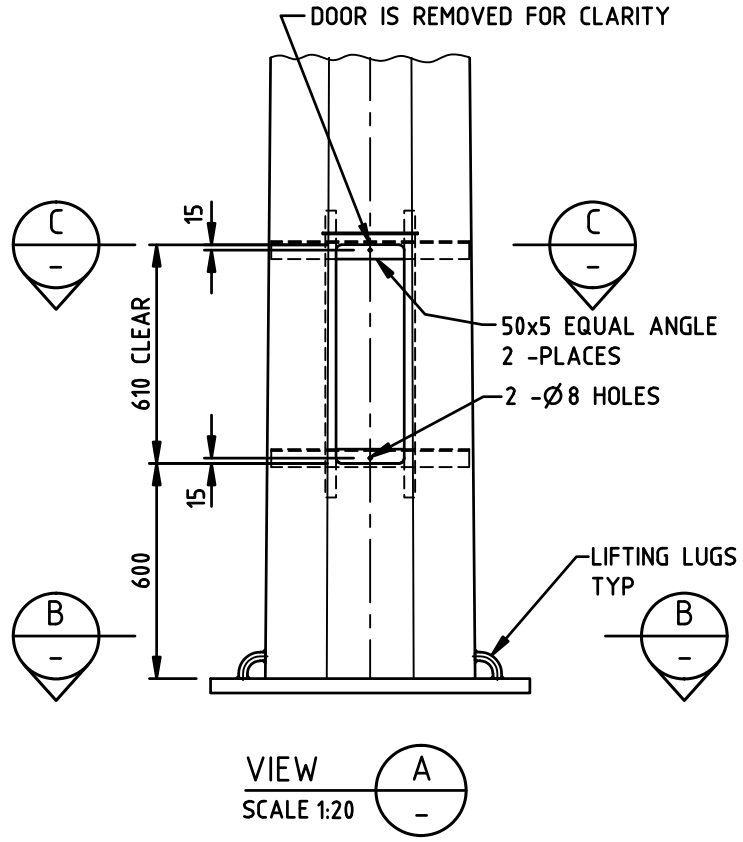
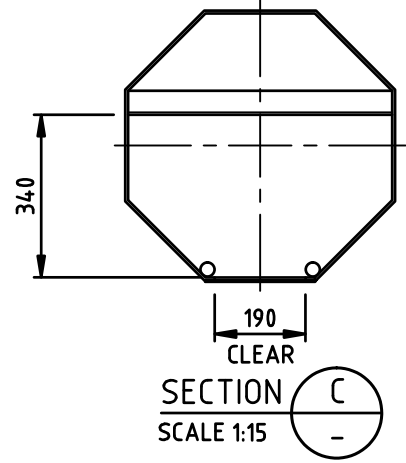


THIS JOINT TO BE SECURED WITH 2 -TEK SCREWS (SUPPLIED) DURING ON SITE ASSEMBLY - SEE JOINING PROCEDURE



BALANCE WEIGHT THE BALANCE WEIGHT IS ORDERED SEPARATELY UON

BALANCE WEIGHT DOOR

3 - 5/8" UNC APRON SECURING SCREWS

FOR GENERAL NOTES APPLICABLE TO THIS DRAWING REFER DRAWING GA1

PRODUCT WEIGHT 2453 kg		CUSTOMER APPROVAL DATE		COPYRIGHT THIS DOCUMENT PRODUCED BY INGAL EPS MUST NOT BE COPIED, TRACED, REPRODUCED, OR LENT WITHOUT WRITTEN CONSENT		INGAL EPS		PRODUCT NUMBER HPM25F-W	
				DIMENSIONS IN MILLIMETRES		LOWERING SYSTEMS PARK SEESAW 25m OCTAGONAL POLE BASE PLATE MOUNTED		DRAWING NUMBER GA184	
				A3 DO NOT SCALE				SHEET NUMBER	
REV A 14/07/09 ISSUED FOR APPROVAL	C.J. BY	FL CHECKED BY	14/07/09 DATE	14/07/09 DATE	C.JAVALI DRAWN BY	SCALE 1:75		CAD FILE No GA184	