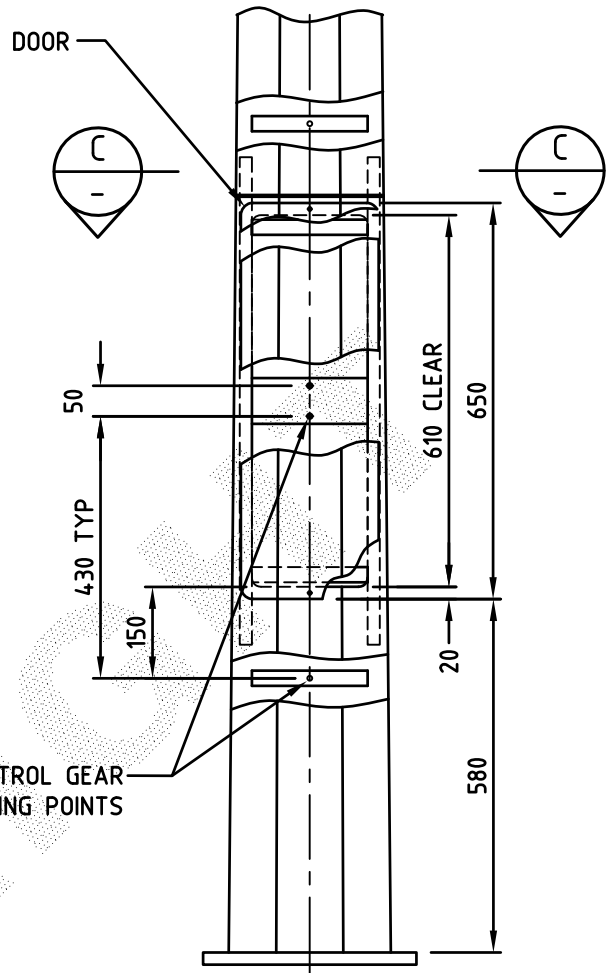
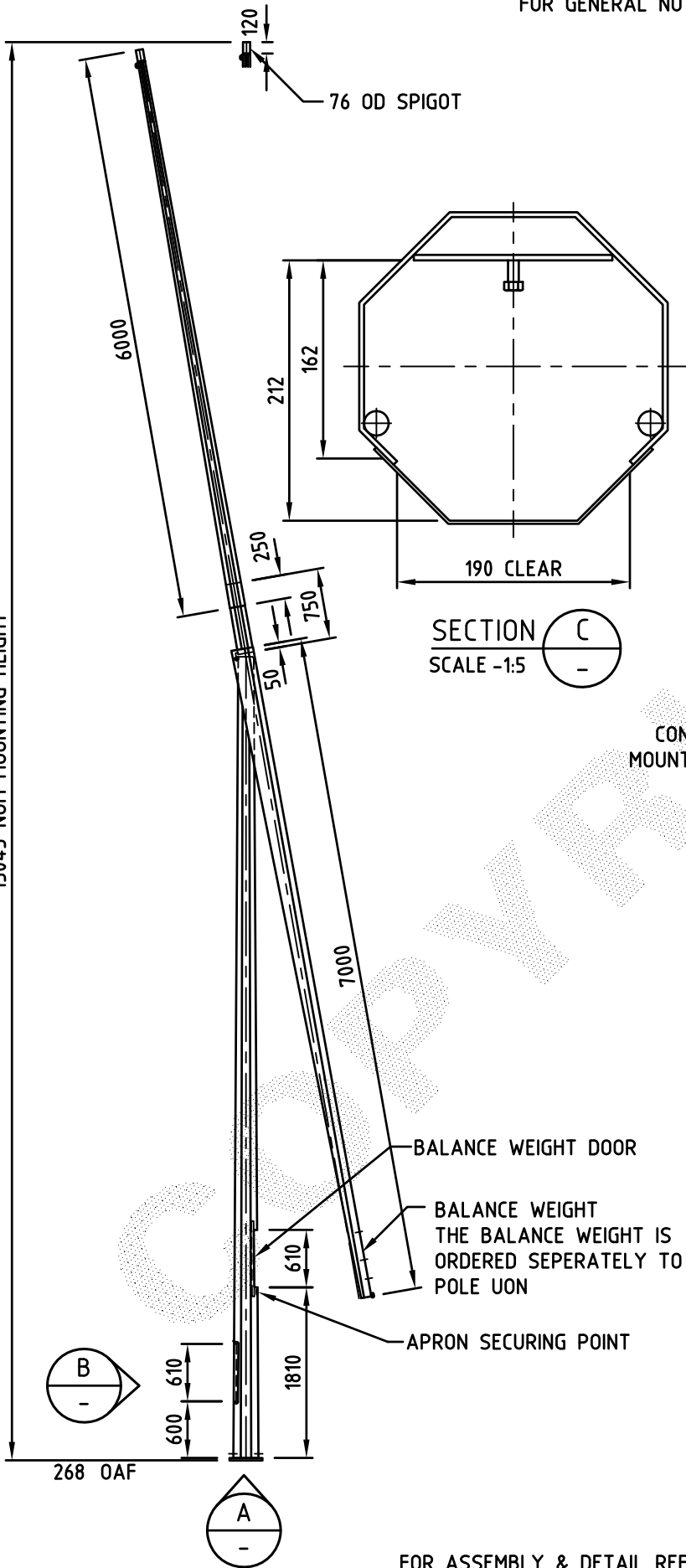
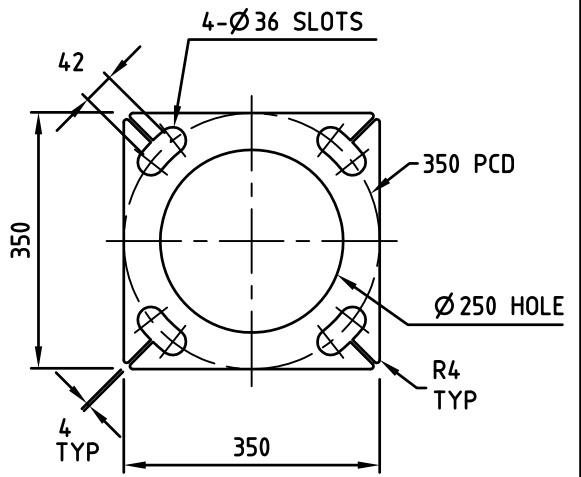


15045 NOM MOUNTING HEIGHT



VIEW **B**
SCALE 1:12



VIEW **A**
SCALE 1:10

BASE PLATE FOR
4 - M30 FOUNDATION BOLTS

FOR ASSEMBLY & DETAIL REFER AD4487

PRODUCT WEIGHT 403 kg		CUSTOMER APPROVAL DATE		COPYRIGHT THIS DOCUMENT PRODUCED BY INGAL EPS MUST NOT BE COPIED, TRACED, REPRODUCED, OR LENT WITHOUT WRITTEN CONSENT		INGAL EPS		PRODUCT NUMBER HPH15F	
REV		DATE		DESCRIPTION		BY		CHKD	
0		21/07/09		FIRST ISSUE		IW			
A4		DO NOT SCALE		DIMENSIONS IN MILLIMETRES		LOWERING SYSTEM PARK SEESAW 15m HEAVY DUTY 76 OD x 120 LONG SPIGOT		DRAWING NUMBER GA178	
CUSTOMER NAME / PROJECT		CHECKED BY		DATE		DATE		SCALE	
				21/07/09		21/07/09		1:65	
						DRAWN BY I. WHITE		CAD FILE No GA178	
								SHEET NUMBER	