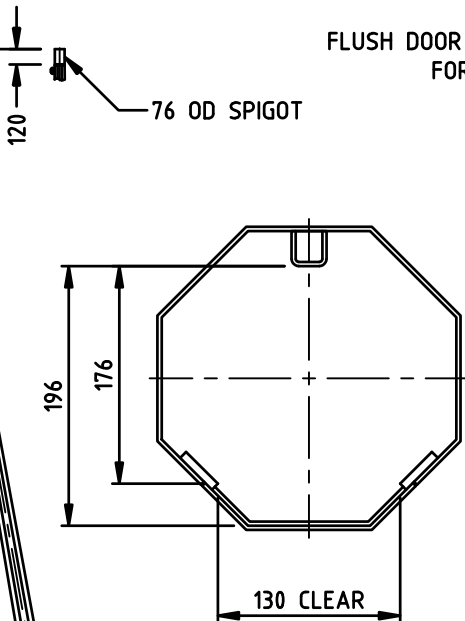


FOR GENERAL NOTES APPLICABLE TO THIS DRAWING REFER DRAWING GA1

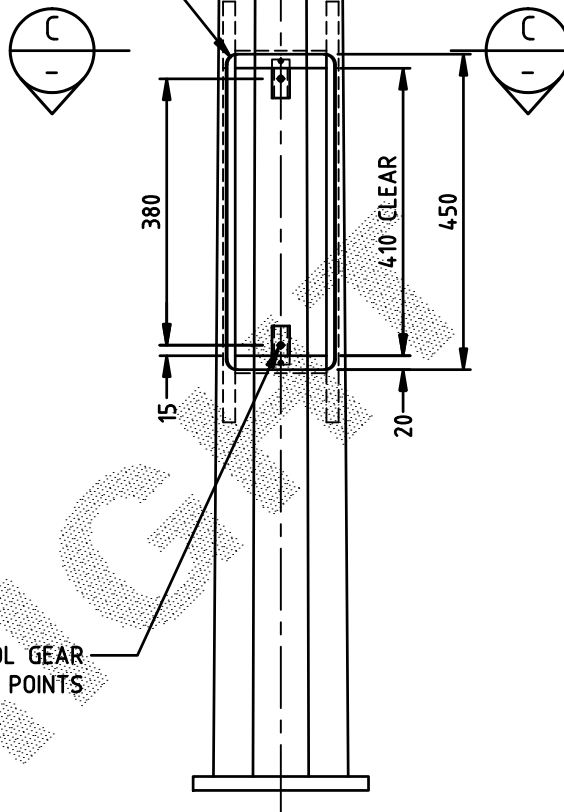
FLUSH DOOR REMOVED FOR CLARITY

76 OD SPIGOT



SECTION C
SCALE -1:5

2 - M6 CONTROL GEAR MOUNTING POINTS



VIEW B
SCALE 1:10

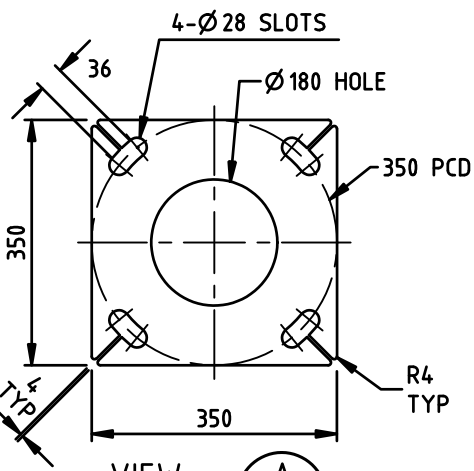
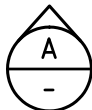
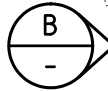
12020

5980

BALANCE WEIGHT DOOR

BALANCE WEIGHT THE BALANCE WEIGHT IS ORDERED SEPERATELY TO THE POLE UON

APRON SECURING POINT



VIEW A
SCALE 1:10

BASE PLATE FOR 4 - M24 FOUNDATION BOLTS

FOR ASSEMBLY & DETAIL REFER AD923

PRODUCT WEIGHT 265 kg		CUSTOMER APPROVAL DATE		COPYRIGHT THIS DOCUMENT PRODUCED BY INGAL EPS MUST NOT BE COPIED, TRACED, REPRODUCED, OR LENT WITHOUT WRITTEN CONSENT		INGAL EPS		PRODUCT NUMBER HBM12F	
				DIMENSIONS IN MILLIMETRES		LOWERING SYSTEM BOULEVARD SEESAW 12m 76 OD x 120 LONG SPIGOT		DRAWING NUMBER GA171	
				A4 DO NOT SCALE				SHEET NUMBER	
0	26/11/07	FIRST ISSUE	JJ.M.	BY	CHKD	CHECKED BY	DATE	DRAWN BY	SCALE
							26/11/07	J. MARTIN	1:55
CUSTOMER NAME / PROJECT						DATE		CAD FILE No	
						31/10/06		GA171	