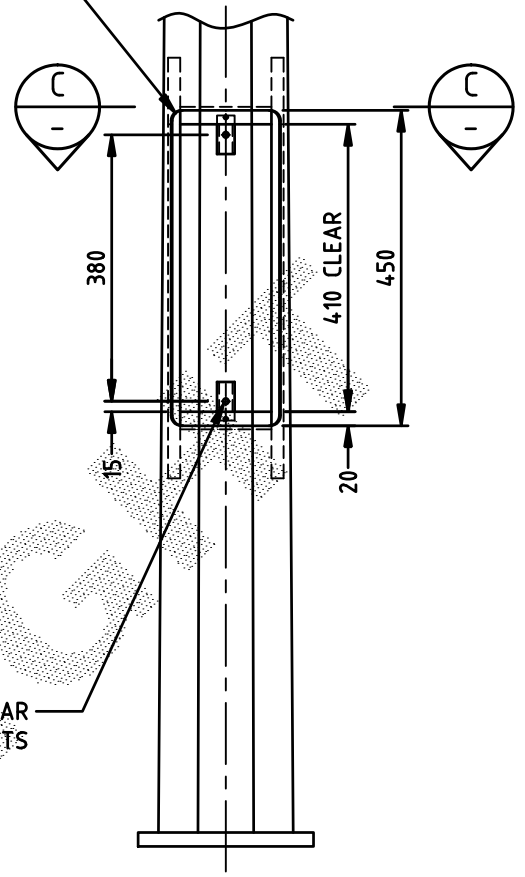
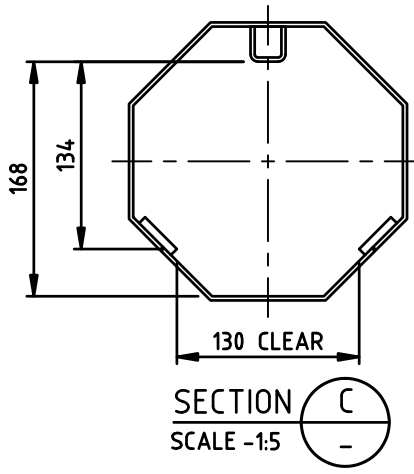


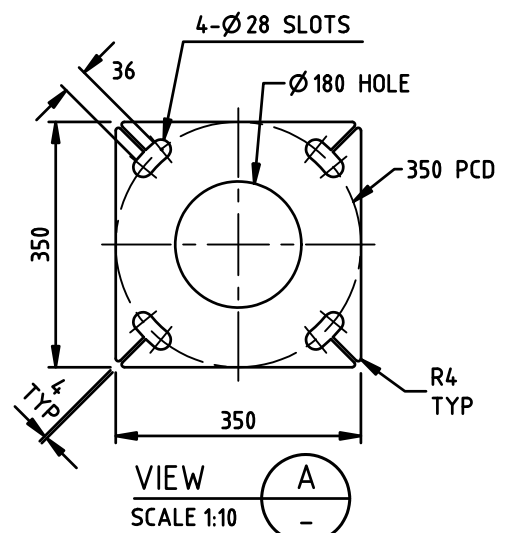
FOR GENERAL NOTES APPLICABLE TO THIS DRAWING REFER DRAWING GA1

FLUSH DOOR REMOVED FOR CLARITY



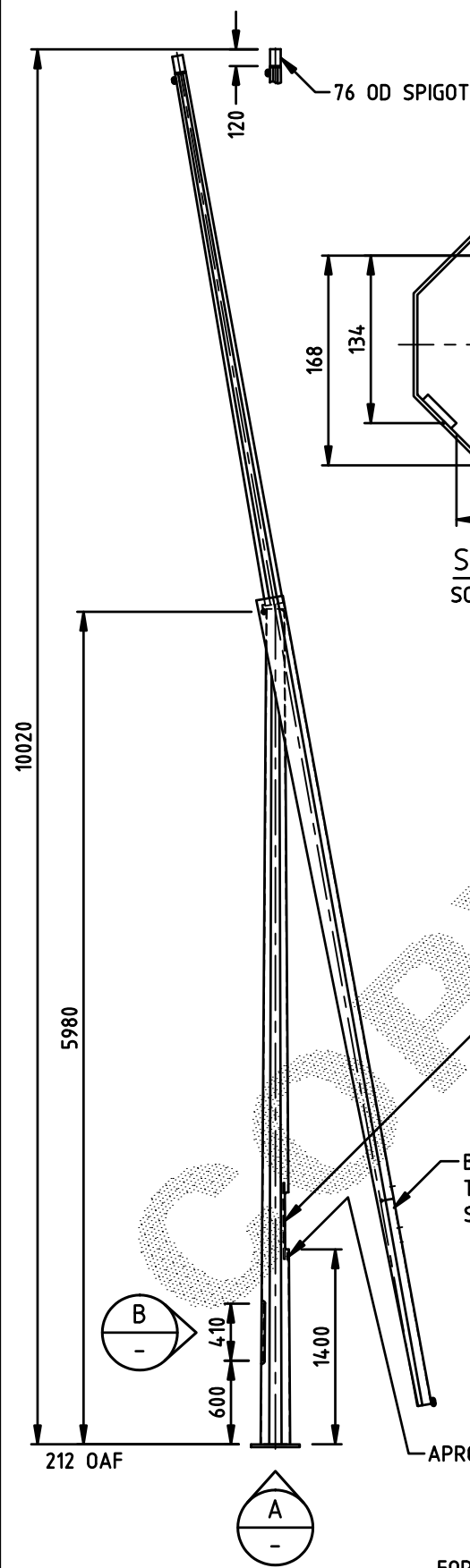
2 - M6 CONTROL GEAR MOUNTING POINTS

VIEW B
SCALE 1:10



BASE PLATE FOR
4 - M24 FOUNDATION BOLTS

FOR ASSEMBLY & DETAIL REFER AD922



VIEW B
SCALE 1:10

VIEW A
SCALE 1:10

BALANCE WEIGHT DOOR

BALANCE WEIGHT
THE BALANCE WEIGHT IS ORDERED SEPARATELY TO THE POLE UON

APRON SECURING POINT

INGAL EPS

LOWERING SYSTEM
BOULEVARD SEESAW
10m
76 OD x 120 LONG SPIGOT

PRODUCT NUMBER
HBM10F

DRAWING NUMBER
GA170

SHEET NUMBER

PRODUCT WEIGHT 202 kg	CUSTOMER APPROVAL DATE	COPYRIGHT THIS DOCUMENT PRODUCED BY INGAL EPS MUST NOT BE COPIED, TRACED, REPRODUCED, OR LENT WITHOUT WRITTEN CONSENT
0	26/11/07	FIRST ISSUE
REV	DATE	DESCRIPTION
CUSTOMER NAME / PROJECT		BY JJ.M.

DIMENSIONS IN MILLIMETRES	
	A4 DO NOT SCALE
CHECKED BY	DATE
	26/11/07

DATE	DRAWN BY
27/10/06	J. MARTIN

SCALE	CAD FILE No
1:45	GA170