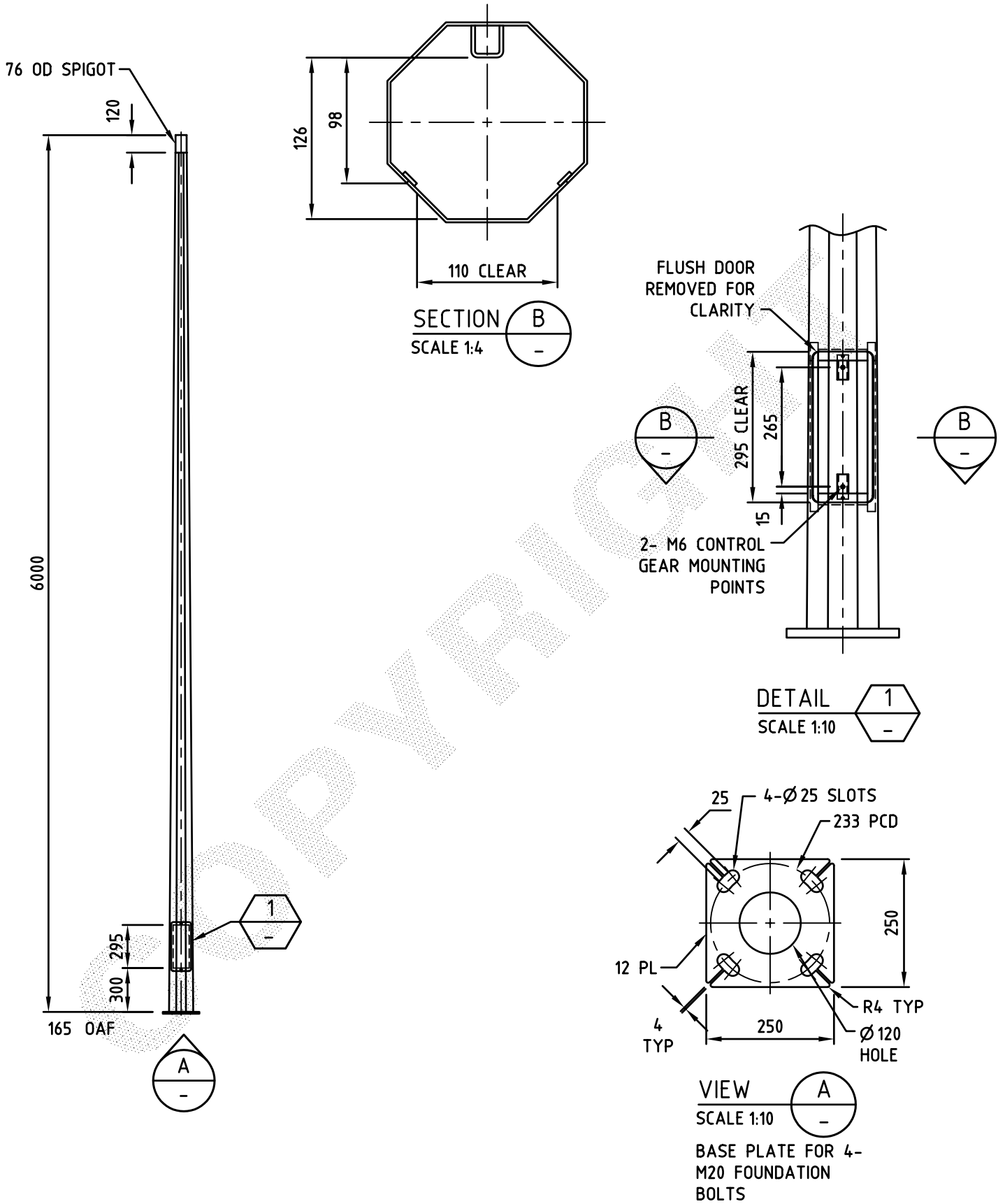



FOR GENERAL NOTES APPLICABLE TO THIS DRAWING REFER DRAWING GA1



FOR ASSEMBLY & DETAIL REFER AD159

<b>PRODUCT WEIGHT</b> 55 kg		<b>CUSTOMER APPROVAL</b> DATE		COPYRIGHT THIS DOCUMENT PRODUCED BY INGal EPS MUST NOT BE COPIED, TRACED, REPRODUCED, OR LENT WITHOUT WRITTEN CONSENT		<b>INGAL EPS</b>		<b>PRODUCT NUMBER</b> FBM6F		
				DIMENSIONS IN MILLIMETRES		<b>FLOODLIGHTING BOULEVARD OCTAGONAL</b> 6m		<b>DRAWING NUMBER</b> GA17		
						<b>76 OD x 120 SPIGOT</b>		<b>SHEET NUMBER</b>		
0	28/07/06	FIRST ISSUE		I.W.		<b>A4 DO NOT SCALE</b>				
REV	DATE	DESCRIPTION	BY	CHKD	CHECKED BY	DATE	DRAWN BY	SCALE	CAD FILE No	
						28/07/06	I. WHITE	1:35	GA17	
CUSTOMER NAME / PROJECT					DATE		DATE		SCALE	