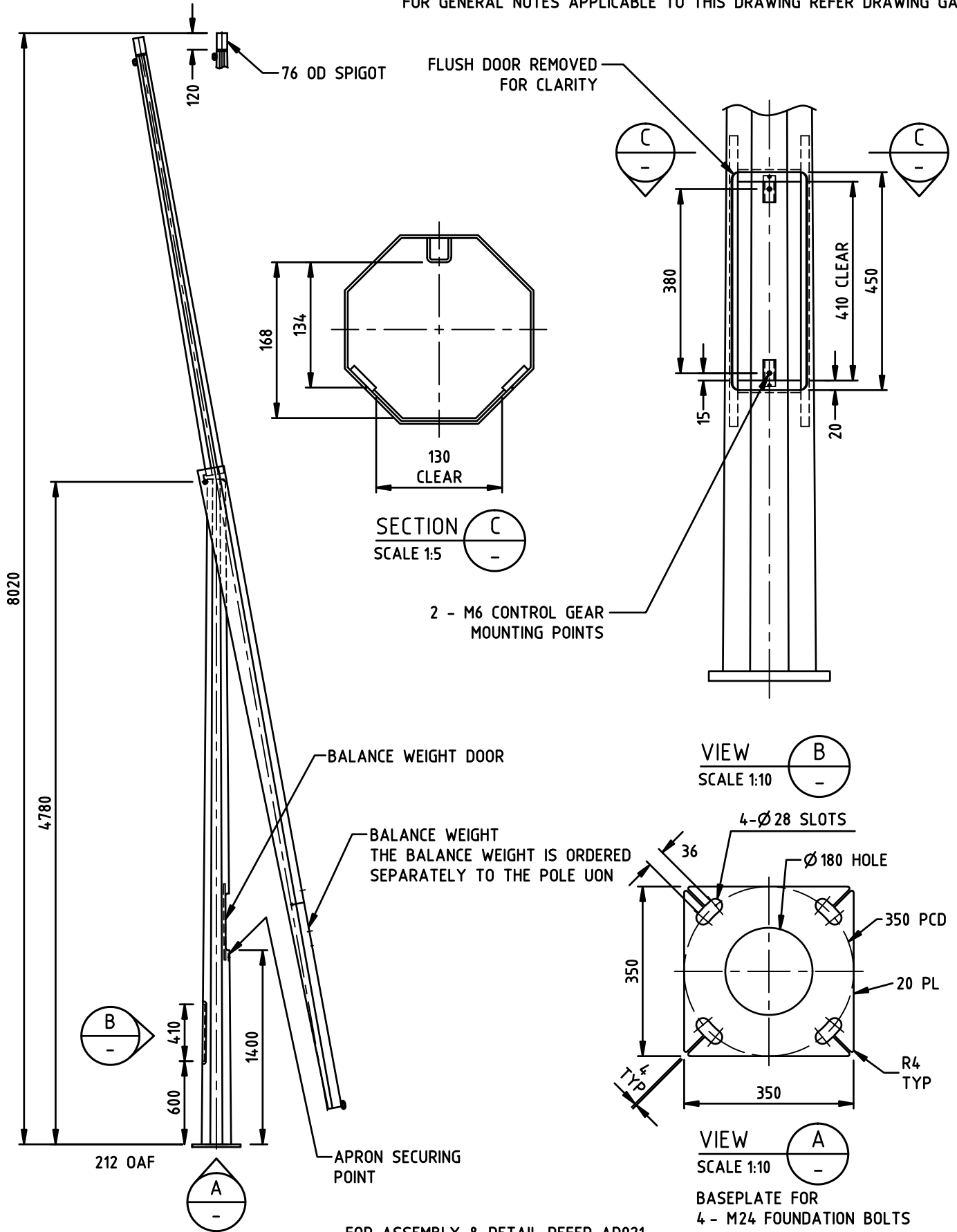
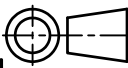


FOR GENERAL NOTES APPLICABLE TO THIS DRAWING REFER DRAWING GA1



FOR ASSEMBLY & DETAIL REFER AD921

PRODUCT WEIGHT 165 kg		CUSTOMER APPROVAL DATE		COPYRIGHT THIS DOCUMENT PRODUCED BY INGAL EPS MUST NOT BE COPIED, TRACED, REPRODUCED, OR LENT WITHOUT WRITTEN CONSENT		INGAL EPS		PRODUCT NUMBER HBM8F	
				DIMENSIONS IN MILLIMETRES		LOWERING SYSTEM BOULEVARD SEESAW 8m 76 OD x 120 LONG SPIGOT		DRAWING NUMBER GA169	
								SHEET NUMBER	
0	26/11/07	FIRST ISSUE		I.W.		A4 DO NOT SCALE CHECKED BY DATE 26/11/07 DATE 23/08/06 DRAWN BY I. WHITE		SCALE 1:35	
REV	DATE	DESCRIPTION		BY	CHKD			CAD FILE No GA169	
CUSTOMER NAME / PROJECT									