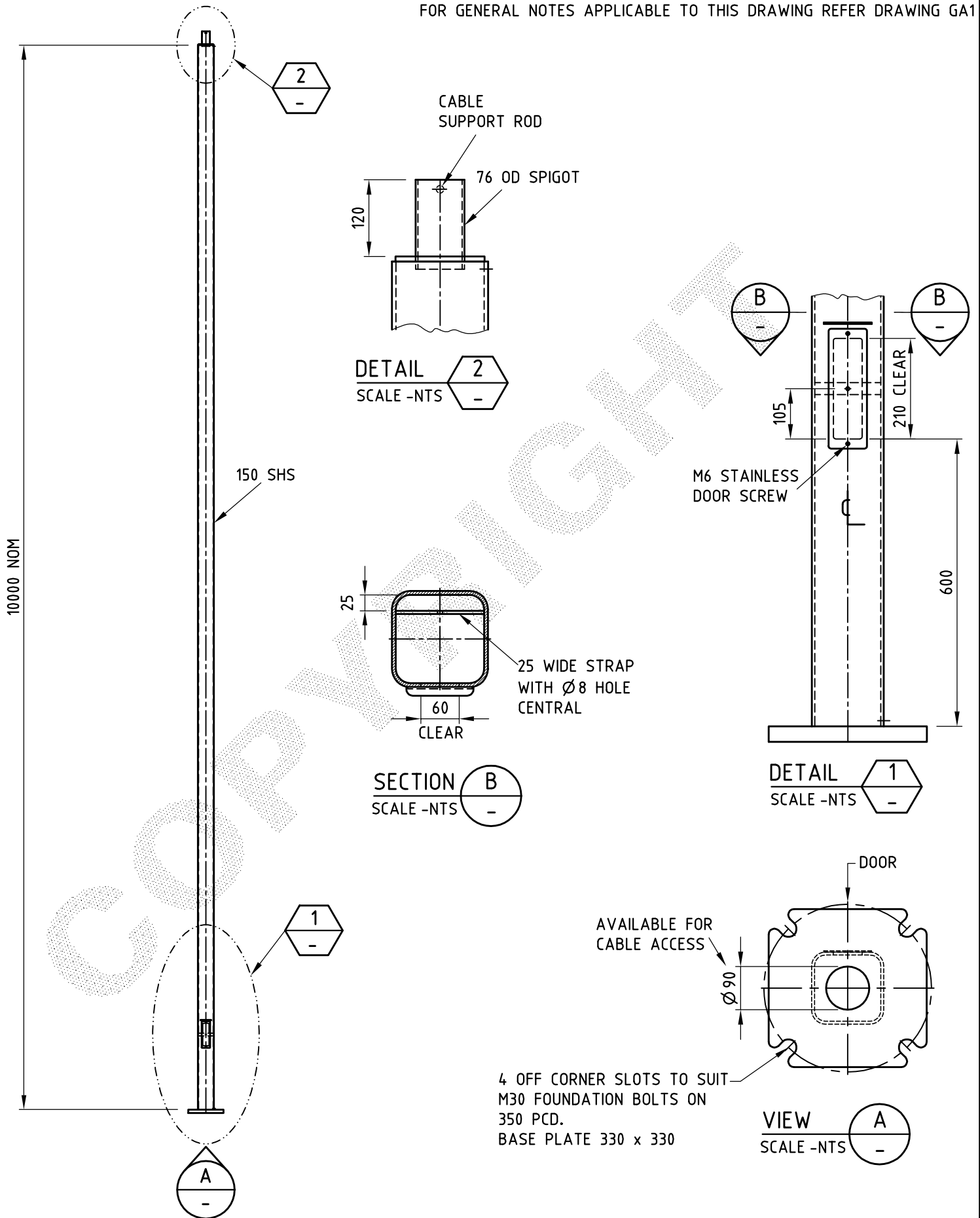


FOR GENERAL NOTES APPLICABLE TO THIS DRAWING REFER DRAWING GA1



FOR ASSEMBLY & DETAIL REFER AD414

<b>PRODUCT WEIGHT</b> 316 KG		<b>CUSTOMER APPROVAL</b> DATE		COPYRIGHT THIS DOCUMENT PRODUCED BY INGAL EPS MUST NOT BE COPIED, TRACED, REPRODUCED, OR LENT WITHOUT WRITTEN CONSENT		<b>INGAL EPS</b>		<b>PRODUCT NUMBER</b> FCX10F	
				DIMENSIONS IN MILLIMETRES		<b>GENERAL ARRANGEMENT OF FLOODLIGHTING</b> 10m COURT 76 OD x 120 SPIGOT		<b>DRAWING NUMBER</b> GA164	
0 23/05/08 ISSUED FOR CONSTRUCTION S.K.P.		BY CHKD		A4 DO NOT SCALE		CHECKED BY DATE 23/05/08		SHEET NUMBER	
REV DATE DESCRIPTION		DATE 23/05/08		DRAWN BY S.K.PONNAMBATH		SCALE 1:45		CAD FILE No AD414	
CUSTOMER NAME / PROJECT									