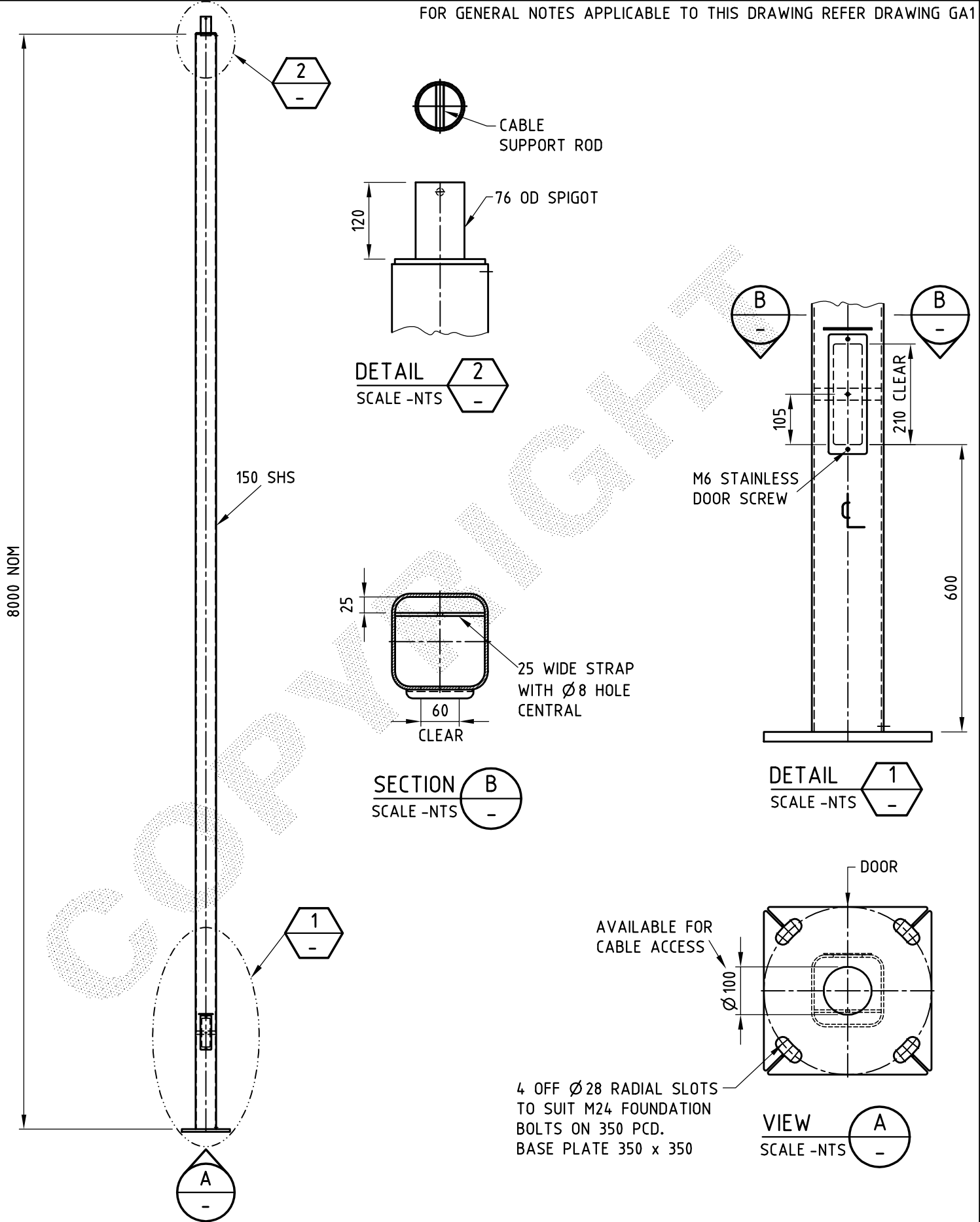


FOR GENERAL NOTES APPLICABLE TO THIS DRAWING REFER DRAWING GA1



FOR ASSEMBLY & DETAIL REFER AD411

PRODUCT WEIGHT 220 KG	CUSTOMER APPROVAL DATE	COPYRIGHT THIS DOCUMENT PRODUCED BY INGAL EPS MUST NOT BE COPIED, TRACED, REPRODUCED, OR LENT WITHOUT WRITTEN CONSENT	<b>INGAL EPS</b>	PRODUCT NUMBER FCH8F
		DIMENSIONS IN MILLIMETRES	GENERAL ARRANGEMENT OF FLOODLIGHTING 8m COURT 76 OD x 120 SPIGOT	DRAWING NUMBER GA160
0	23/05/08	ISSUED FOR CONSTRUCTION	S.K.P.	SHEET NUMBER
REV	DATE	DESCRIPTION	BY	CHKD
CUSTOMER NAME / PROJECT		CHECKED BY	DATE	SCALE
		23/05/08	23/05/08	1:35
			DRAWN BY S.K.PONNAMBATH	CAD FILE No AD411