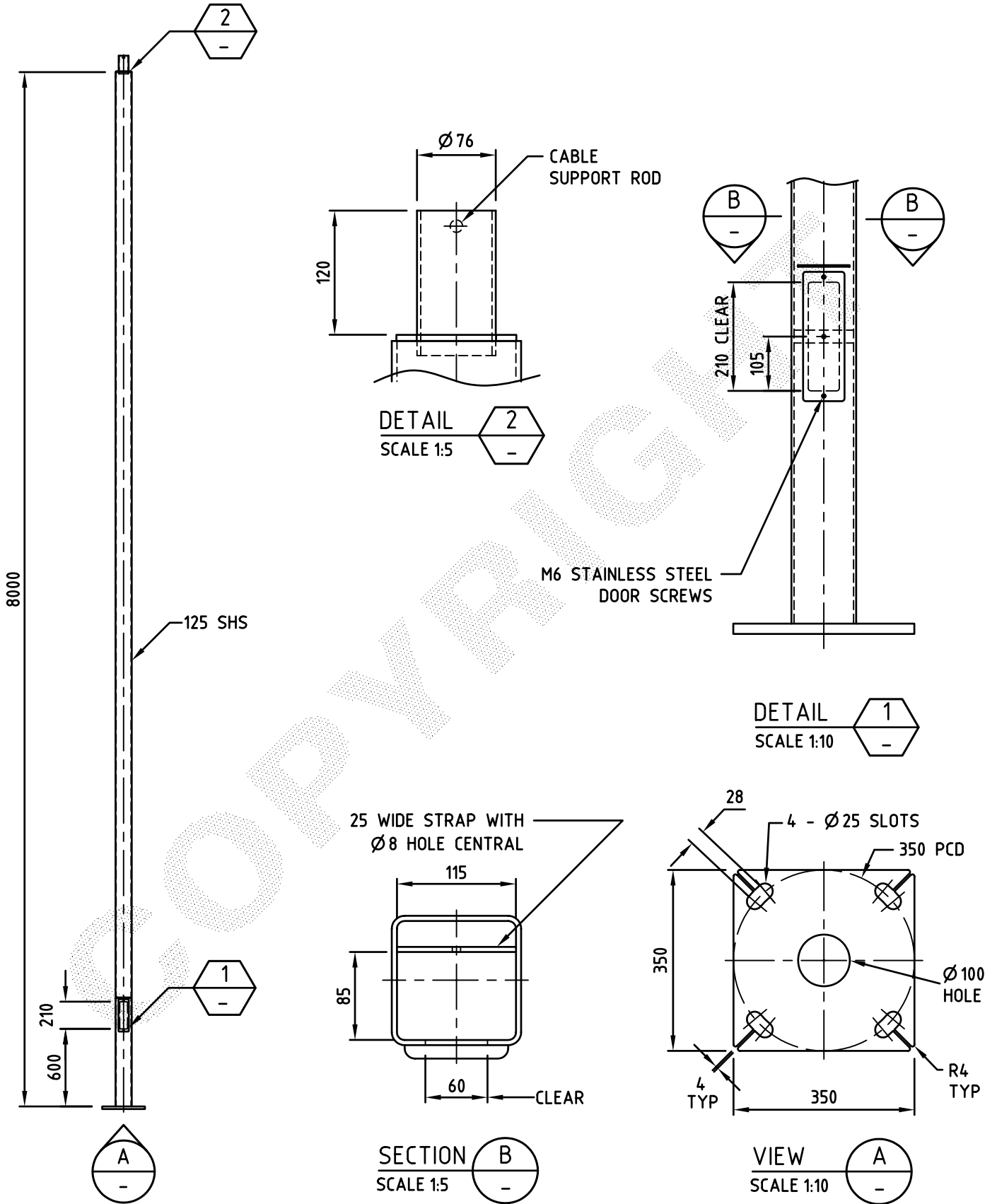


FOR GENERAL NOTES APPLICABLE TO THIS DRAWING REFER DRAWING GA1



M6 STAINLESS STEEL DOOR SCREWS

FOR ASSEMBLY & DETAIL REFER AD404

<b>PRODUCT WEIGHT</b> 181 kg		<b>CUSTOMER APPROVAL</b> DATE		COPYRIGHT THIS DOCUMENT PRODUCED BY INGAL EPS MUST NOT BE COPIED, TRACED, REPRODUCED, OR LENT WITHOUT WRITTEN CONSENT		<b>INGAL EPS</b>		<b>PRODUCT NUMBER</b> FCM8F	
				DIMENSIONS IN MILLIMETRES		<b>FLOODLIGHTING COURT</b> 8m 76 OD x 120 SPIGOT		<b>DRAWING NUMBER</b> GA159	
0 07/09/06 FIRST ISSUED		JM		A4 DO NOT SCALE				<b>SHEET NUMBER</b>	
REV DATE DESCRIPTION		BY CHKD		CHECKED BY DATE		DATE		SCALE 1:40	
CUSTOMER NAME / PROJECT				07/09/09		05/09/06		DRAWN BY J MARTIN	
								CAD FILE No GA159	