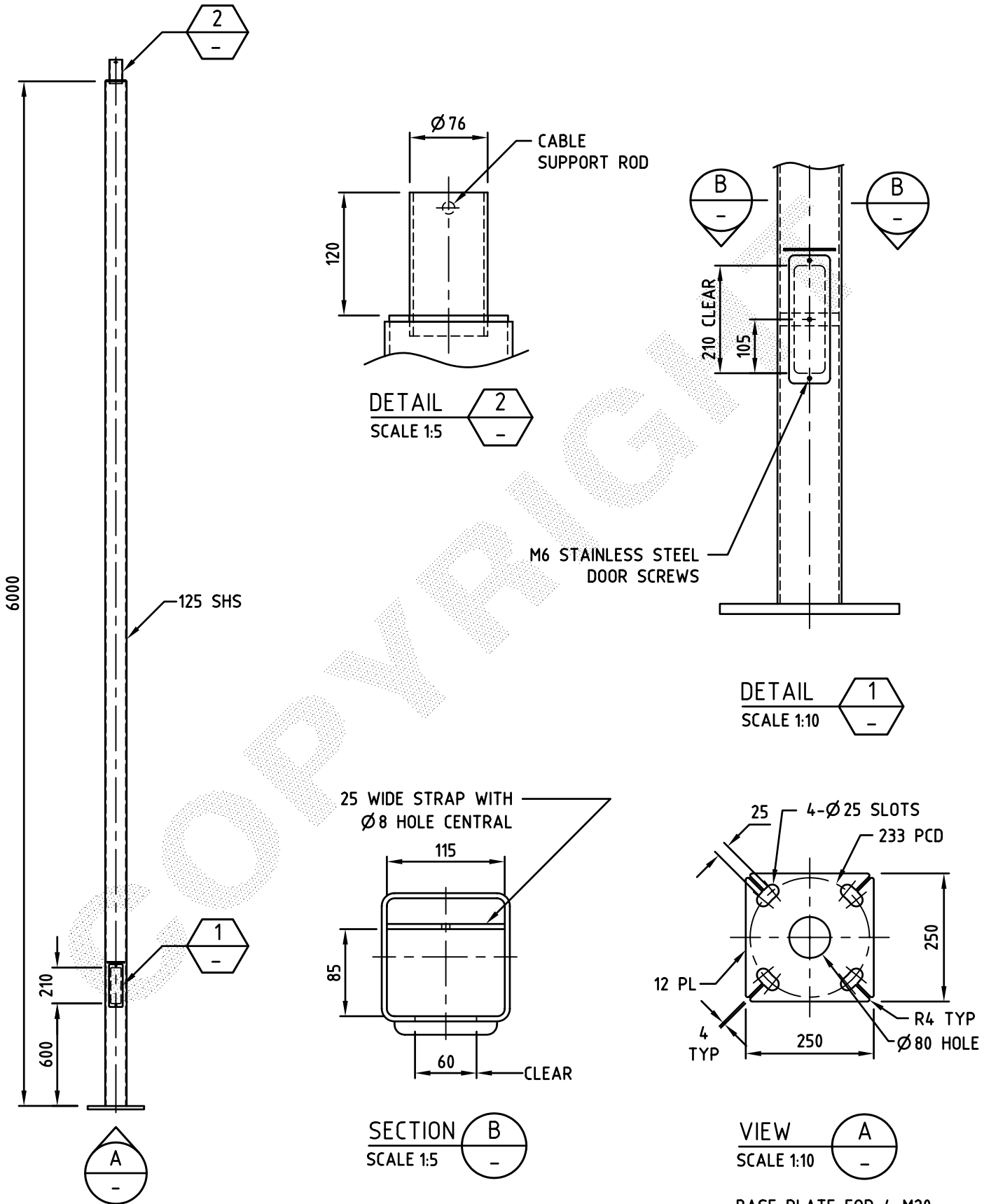


FOR GENERAL NOTES APPLICABLE TO THIS DRAWING REFER DRAWING GA1



FOR ASSEMBLY & DETAIL REFER AD402

PRODUCT WEIGHT 144 kg		CUSTOMER APPROVAL DATE		COPYRIGHT THIS DOCUMENT PRODUCED BY INGal EPS MUST NOT BE COPIED, TRACED, REPRODUCED, OR LENT WITHOUT WRITTEN CONSENT		INGAL EPS		PRODUCT NUMBER FCM6F	
				DIMENSIONS IN MILLIMETRES		FLOODLIGHTING COURT 6m 76 OD x 120 SPIGOT		DRAWING NUMBER GA153	
0 04/12/06 FIRST ISSUED		JM		A4 DO NOT SCALE				SHEET NUMBER	
REV DATE DESCRIPTION		BY CHKD		CHECKED BY DATE		DATE		SCALE 1:30	
CUSTOMER NAME / PROJECT				04/12/06		05/10/06		DRAWN BY J MARTIN	
								CAD FILE No GA153	