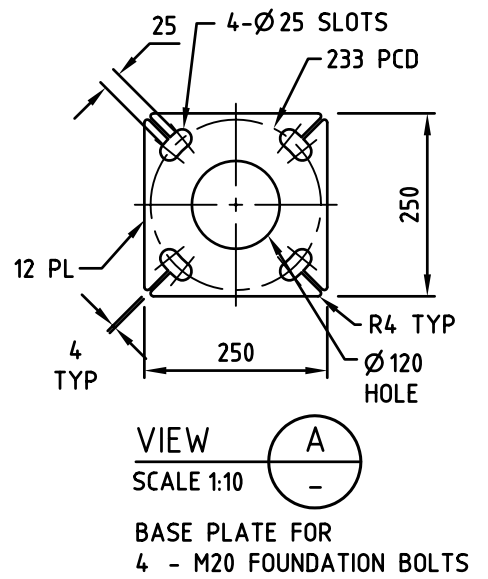
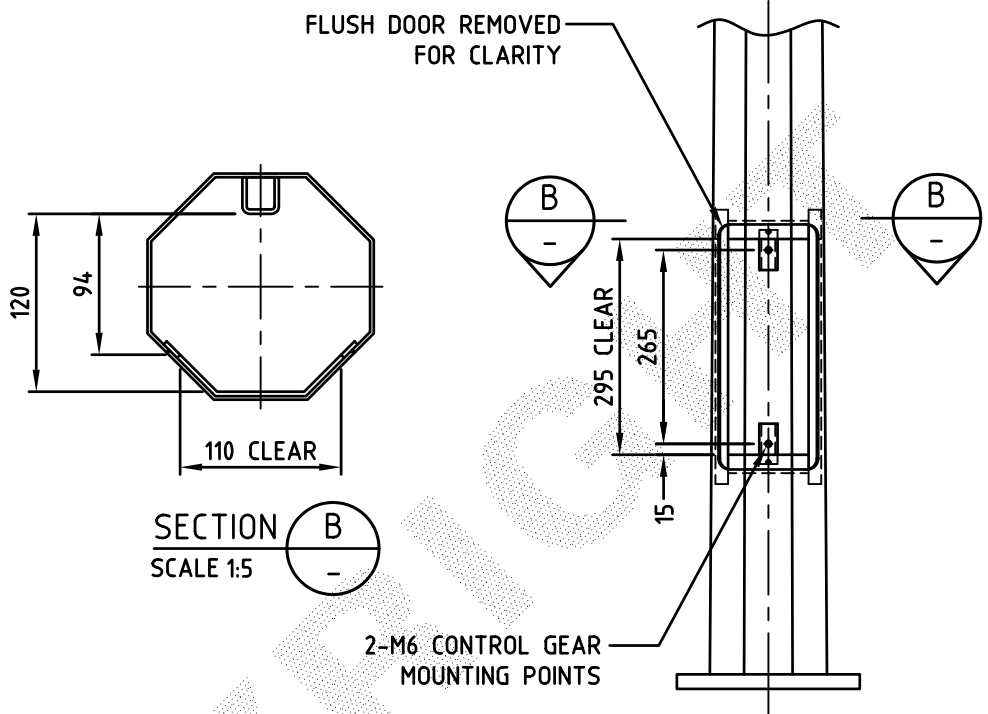
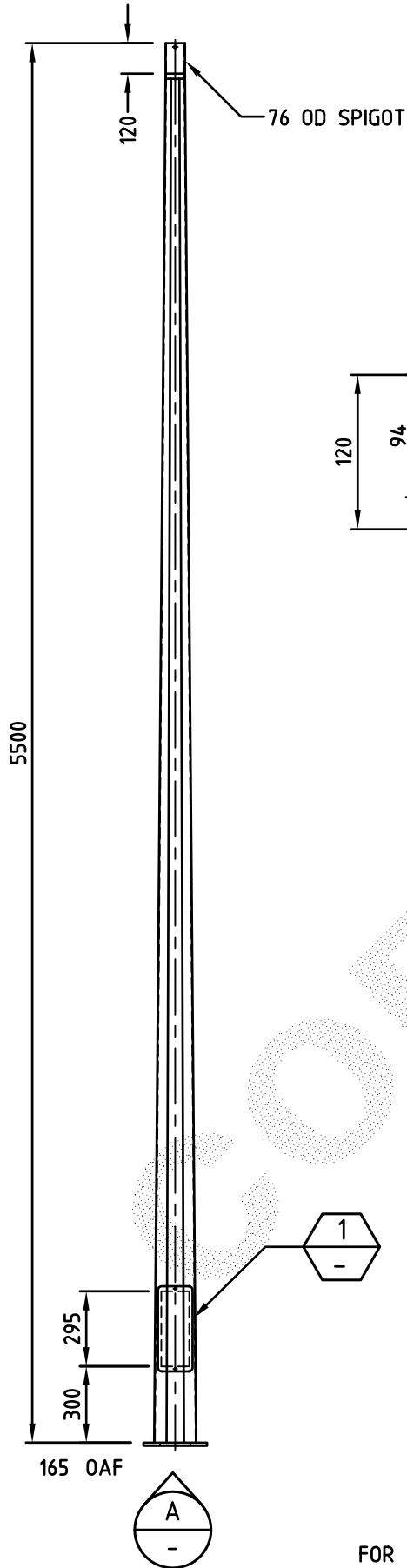


FOR GENERAL NOTES APPLICABLE TO THIS DRAWING REFER DRAWING GA1



FOR ASSEMBLY & DETAIL REFER AD834

PRODUCT WEIGHT 53 kg		CUSTOMER APPROVAL DATE		COPYRIGHT THIS DOCUMENT PRODUCED BY IN GAL EPS MUST NOT BE COPIED, TRACED, REPRODUCED, OR LENT WITHOUT WRITTEN CONSENT		INGAL EPS		PRODUCT NUMBER FBM55F	
				DIMENSIONS IN MILLIMETRES		FLOODLIGHTING BOULEVARD OCTAGONAL 5.5m 76 OD x 120 SPIGOT		DRAWING NUMBER GA15	
0 10/10/06 FIRST ISSUE J.M.				A4 DO NOT SCALE				SHEET NUMBER	
REV DATE DESCRIPTION BY CHKD		CHECKED BY DATE		DATE		DRAWN BY		SCALE 1:25 CAD FILE No GA15	
CUSTOMER NAME / PROJECT		10/10/06		09/10/06		J. MARTIN			