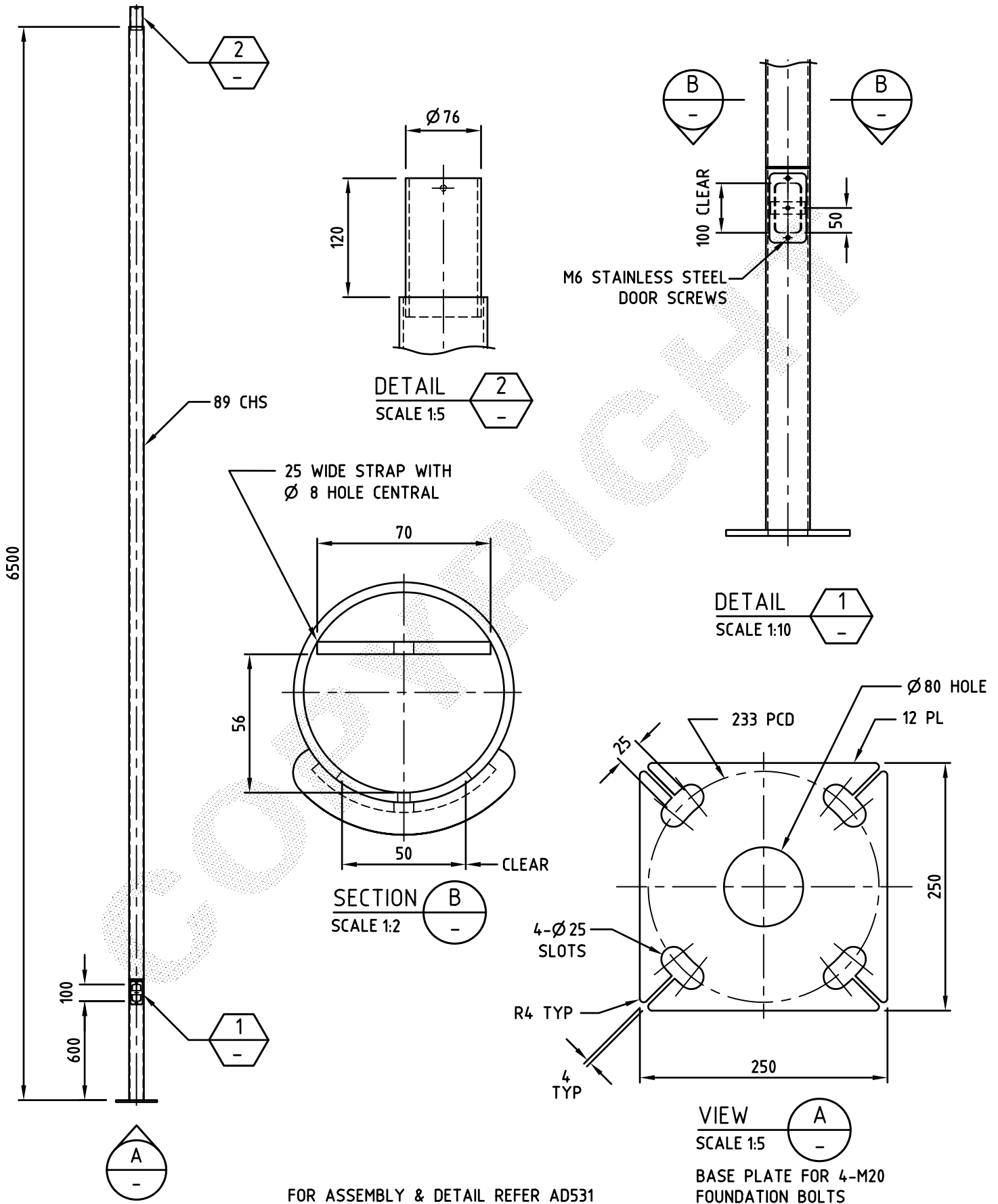


FOR GENERAL NOTES APPLICABLE TO THIS DRAWING REFER DRAWING GA1



FOR ASSEMBLY & DETAIL REFER AD531

PRODUCT WEIGHT 67 kg		CUSTOMER APPROVAL DATE		COPYRIGHT THIS DOCUMENT PRODUCED BY IN GAL EPS MUST NOT BE COPIED, TRACED, REPRODUCED, OR LENT WITHOUT WRITTEN CONSENT		INGAL EPS		PRODUCT NUMBER FMH65F	
				DIMENSIONS IN MILLIMETRES		FLOODLIGHTING MALL 6.5m 76 OD x 120 SPIGOT		DRAWING NUMBER GA145	
0 04/12/06 FIRST ISSUED		J.M		A4 DO NOT SCALE				SHEET NUMBER	
REV DATE DESCRIPTION		BY CHKD		CHECKED BY DATE		DATE		SCALE 1:30	
CUSTOMER NAME / PROJECT				04/12/06		05/10/06		DRAWN BY J. MARTIN	
								CAD FILE No GA145	