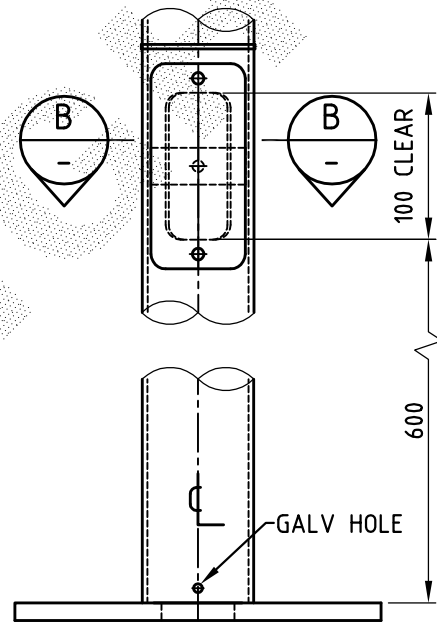
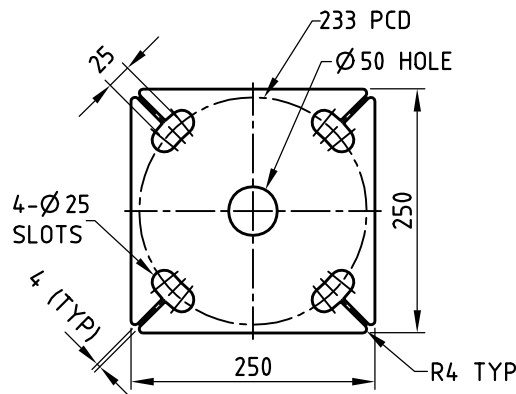


SECTION B
SCALE -NTS



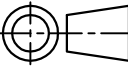
DETAIL 1
SCALE -NTS



VIEW A
SCALE -NTS

BASE PLATE FOR
4-M20 FOUNDATION BOLTS

FOR ASSEMBLY & DETAIL REFER AD525

PRODUCT WEIGHT 52.2 kg		CUSTOMER APPROVAL DATE		COPYRIGHT THIS DOCUMENT PRODUCED BY INGal EPS MUST NOT BE COPIED, TRACED, REPRODUCED, OR LENT WITHOUT WRITTEN CONSENT		INGAL EPS		PRODUCT NUMBER FMM65F		
				DIMENSIONS IN MILLIMETRES		FLOODLIGHTING MALL RANGE MEDIUM DUTY 6.5m POST TOP COLUMN BASE PLATE MOUNTED		DRAWING NUMBER GA144		
				 A4 DO NOT SCALE				SHEET NUMBER		
REV	DATE	DESCRIPTION	BY	CHKD	CHECKED BY	DATE	DATE	DRAWN BY	SCALE	CAD FILE No
0	28/05/08	ISSUED FOR CONSTRUCTION DETAILS TAKEN FROM FMM65F	S.K.P		A4	28/05/08	28/05/08	S.K.PONNAMBATH	1:30	AD525
CUSTOMER NAME / PROJECT										