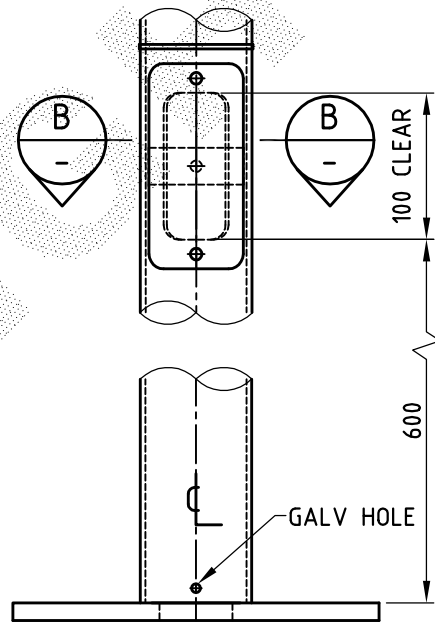
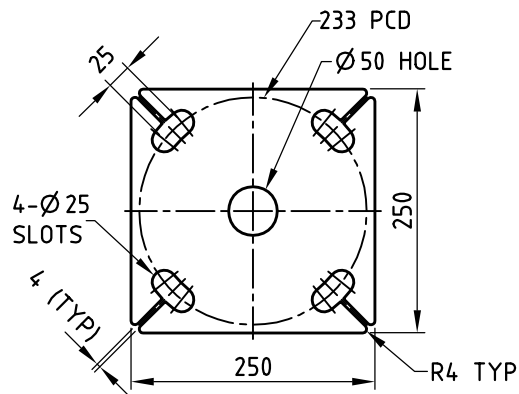


SECTION B
SCALE -NTS



DETAIL 1
SCALE -NTS



VIEW A
SCALE -NTS

BASE PLATE FOR
4-M20 FOUNDATION BOLTS

FOR ASSEMBLY & DETAIL REFER AD524

PRODUCT WEIGHT 45.1 kg	CUSTOMER APPROVAL DATE	COPYRIGHT THIS DOCUMENT PRODUCED BY INGal EPS MUST NOT BE COPIED, TRACED, REPRODUCED, OR LENT WITHOUT WRITTEN CONSENT	INGAL EPS	PRODUCT NUMBER FMM55F
		DIMENSIONS IN MILLIMETRES	FLOODLIGHTING MALL RANGE MEDIUM DUTY 5.5m POST TOP COLUMN BASE PLATE MOUNTED	DRAWING NUMBER GA141
REV	DATE	DESCRIPTION	BY	CHKD
0	28/05/08	ISSUED FOR CONSTRUCTION DETAILS TAKEN FROM FMM55F	S.K.P	
CUSTOMER NAME / PROJECT		CHECKED BY A4	DATE 28/05/08	DRAWN BY S.K.PONNAMBATH
		DO NOT SCALE	DATE 28/05/08	SCALE 1:25
				CAD FILE No AD524