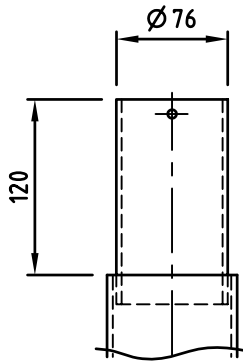
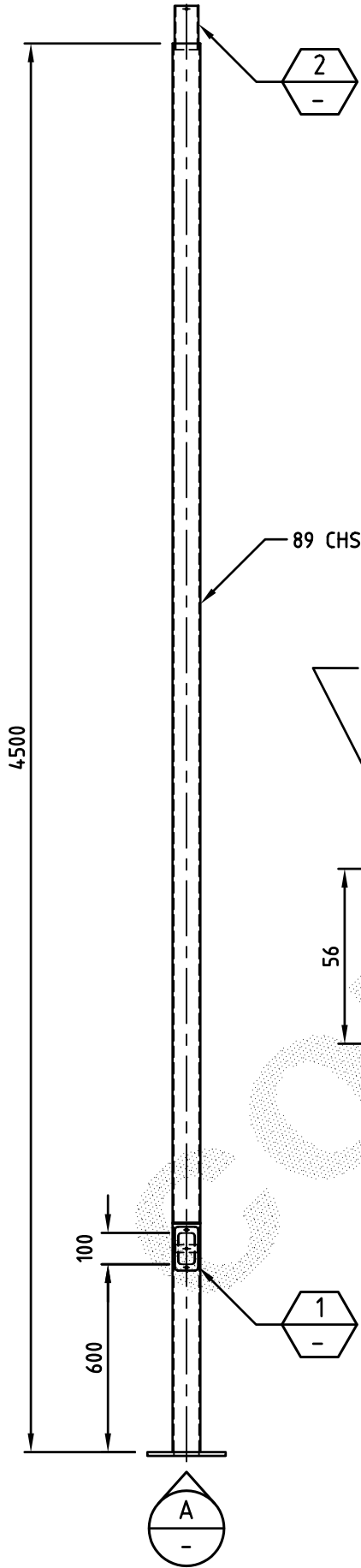
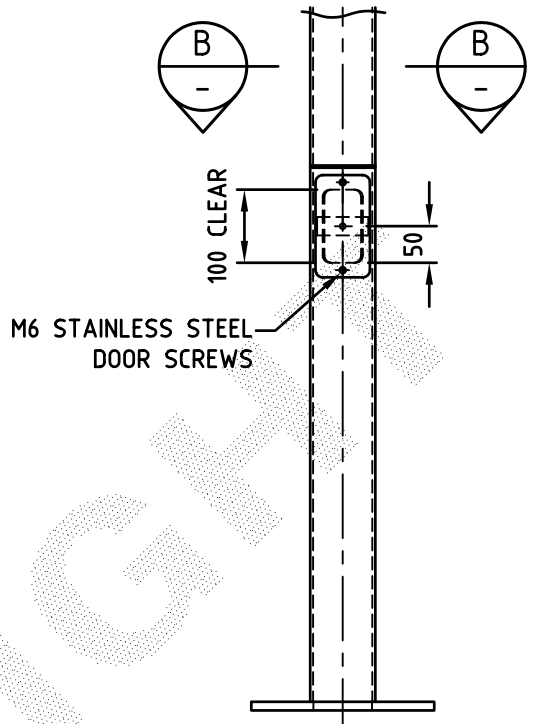


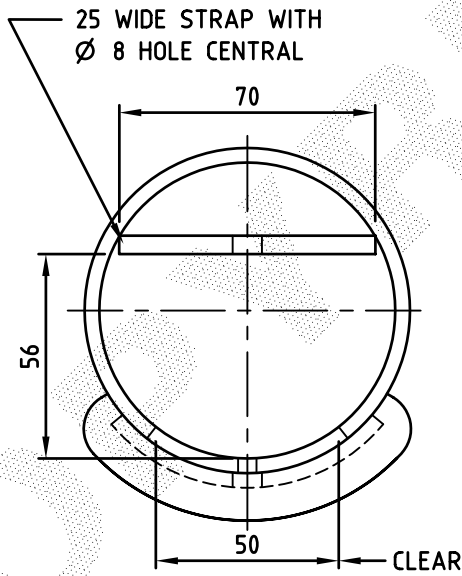
FOR GENERAL NOTES APPLICABLE TO THIS DRAWING REFER DRAWING GA1



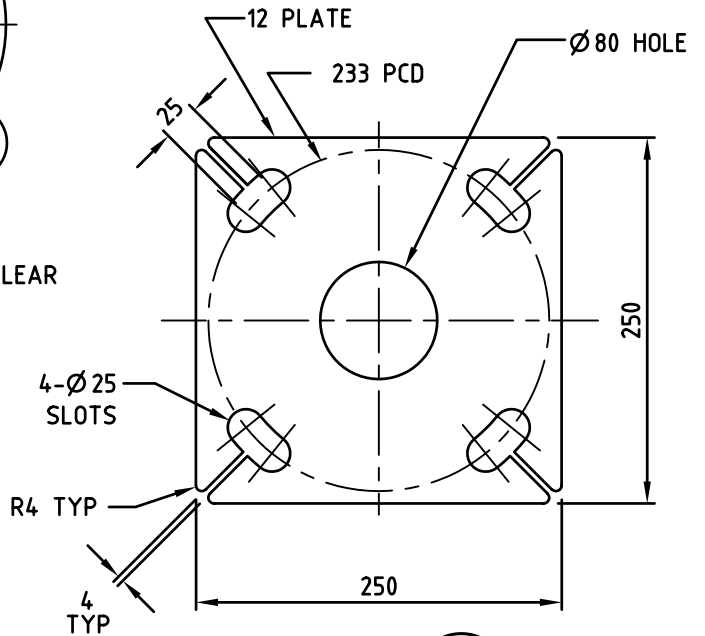
DETAIL 2  
SCALE 1:5



DETAIL 1  
SCALE 1:10



SECTION B  
SCALE 1:2



VIEW A  
SCALE 1:5

BASE PLATE FOR 4-M20 FOUNDATION BOLTS

FOR ASSEMBLY & DETAIL REFER AD529

<b>PRODUCT WEIGHT</b> 49 kg		<b>CUSTOMER APPROVAL</b> DATE		COPYRIGHT THIS DOCUMENT PRODUCED BY IN GAL EPS MUST NOT BE COPIED, TRACED, REPRODUCED, OR LENT WITHOUT WRITTEN CONSENT		<b>INGAL EPS</b>		<b>PRODUCT NUMBER</b> FMH45F	
				DIMENSIONS IN MILLIMETRES		<b>FLOODLIGHTING MALL</b> 4.5m 76 OD x 120 SPIGOT		<b>DRAWING NUMBER</b> GA139	
0 11/09/06 FIRST ISSUED J.M.				A4 DO NOT SCALE				<b>SHEET NUMBER</b>	
REV DATE DESCRIPTION BY CHKD		CHECKED BY DATE		DATE		DRAWN BY		SCALE 1:20 CAD FILE No GA139	
CUSTOMER NAME / PROJECT		11/09/06		11/09/06		J. MARTIN			