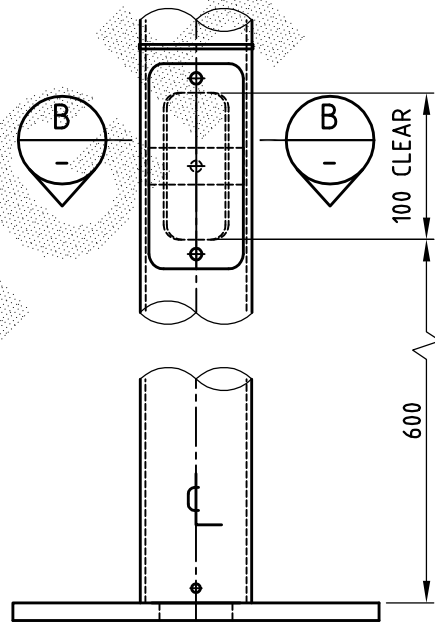
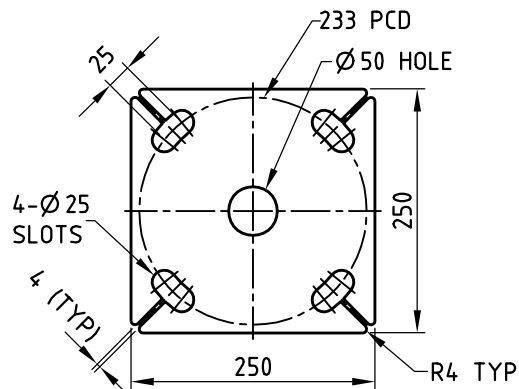


SECTION B  
SCALE -NTS



DETAIL 1  
SCALE -NTS



VIEW A  
SCALE -NTS

BASE PLATE FOR  
4-M20 FOUNDATION BOLTS

FOR ASSEMBLY & DETAIL REFER AD523

PRODUCT WEIGHT 38 kg	CUSTOMER APPROVAL DATE	COPYRIGHT THIS DOCUMENT PRODUCED BY INGAL EPS MUST NOT BE COPIED, TRACED, REPRODUCED, OR LENT WITHOUT WRITTEN CONSENT	<b>INGAL EPS</b>	PRODUCT NUMBER FMM45F
		DIMENSIONS IN MILLIMETRES	FLOODLIGHTING MALL RANGE MEDIUM DUTY 4.5m POST TOP COLUMN BASE PLATE MOUNTED	DRAWING NUMBER GA138
REV	DATE	DESCRIPTION	BY	CHKD
0	28/05/08	ISSUED FOR CONSTRUCTION DETAILS TAKEN FROM FMM45F	S.K.P	
CUSTOMER NAME / PROJECT		CHECKED BY A4	DATE 28/05/08	SCALE 1:20
		DATE 28/05/08	DRAWN BY S.K.PONNAMBATH	CAD FILE No AD523