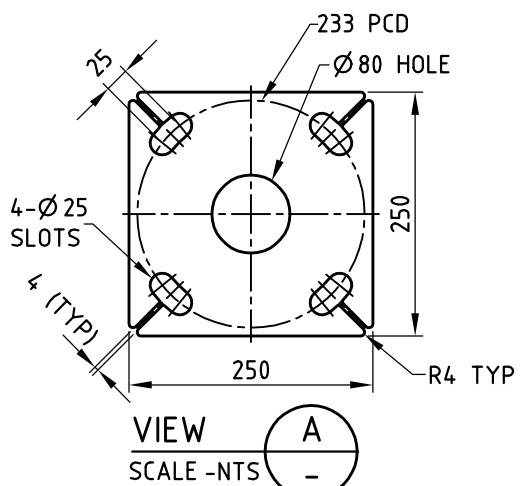
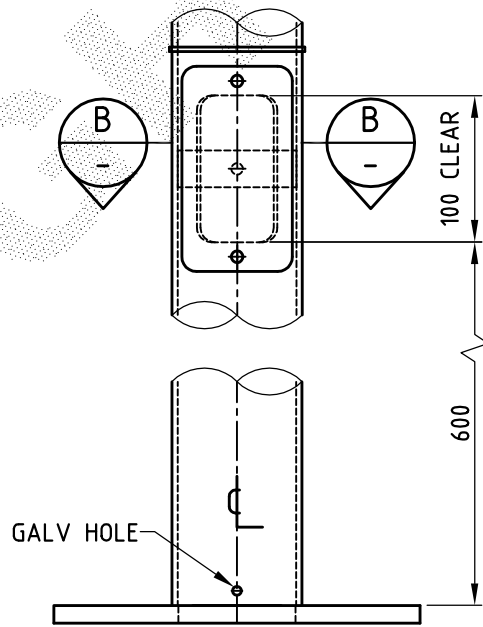
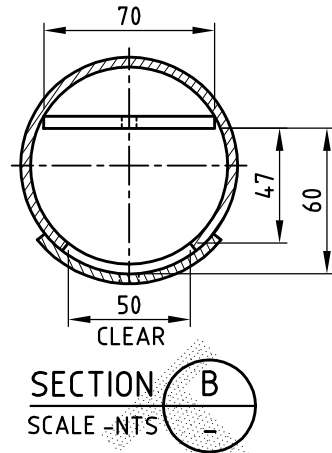
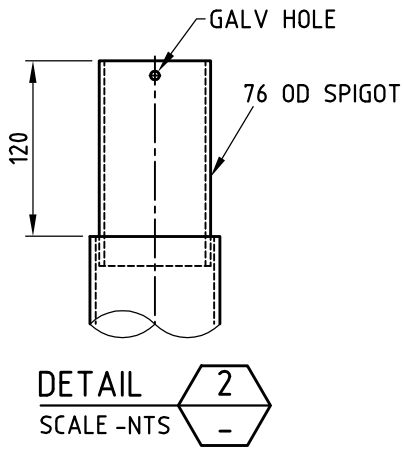
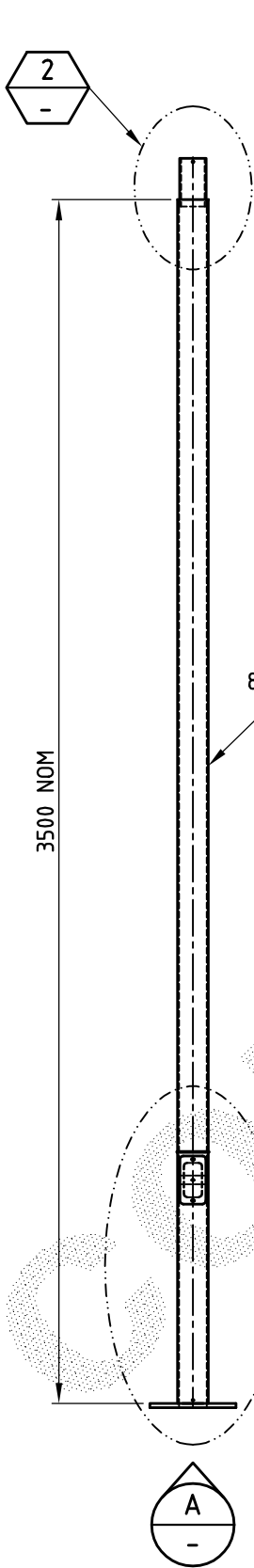


FOR GENERAL NOTES APPLICABLE TO THIS DRAWING REFER DRAWING GA1



FOR ASSEMBLY & DETAIL REFER AD528

BASE PLATE FOR
4-M20 FOUNDATION BOLTS

PRODUCT WEIGHT 39.2 kg	CUSTOMER APPROVAL DATE	COPYRIGHT THIS DOCUMENT PRODUCED BY IN GAL EPS MUST NOT BE COPIED, TRACED, REPRODUCED, OR LENT WITHOUT WRITTEN CONSENT	INGAL EPS	PRODUCT NUMBER FMH35F
		DIMENSIONS IN MILLIMETRES	FLOODLIGHTING MALL RANGE HEAVY DUTY 3.5m POST TOP COLUMN BASE PLATE MOUNTED	DRAWING NUMBER GA136
	0 27/05/08 ISSUED FOR CONSTRUCTION S.K.P.			SHEET NUMBER
REV	DATE	DESCRIPTION	BY	CHKD
CUSTOMER NAME / PROJECT		CHECKED BY A4 DO NOT SCALE	DATE 27/05/08	DRAWN BY S.K.PONNAMBATH
			DATE 27/05/08	SCALE 1:20
				CAD FILE No AD528