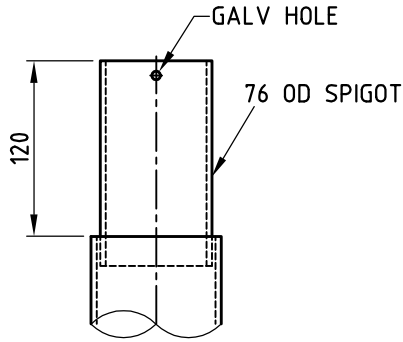
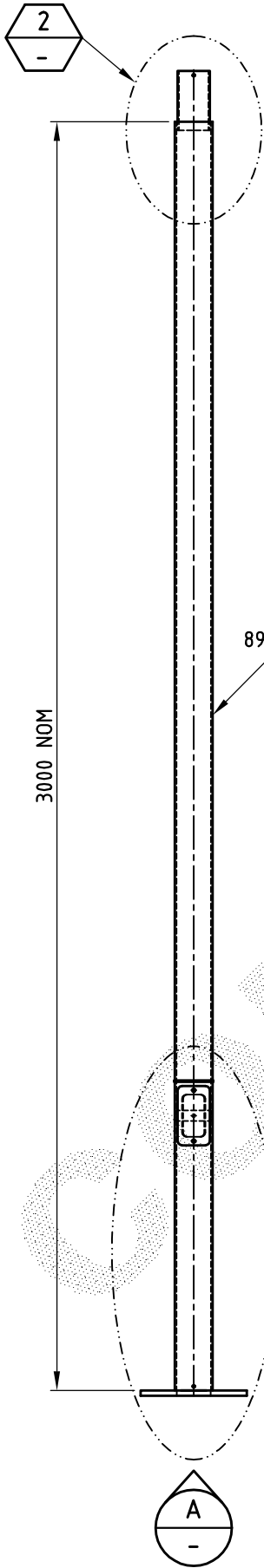
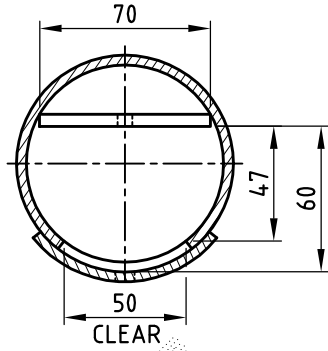


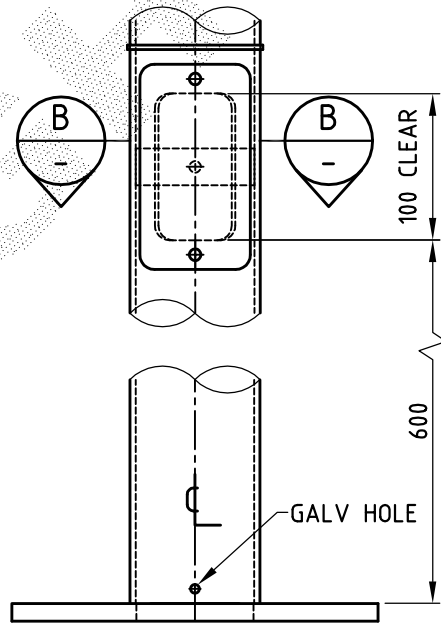
FOR GENERAL NOTES APPLICABLE TO THIS DRAWING REFER DRAWING GA1



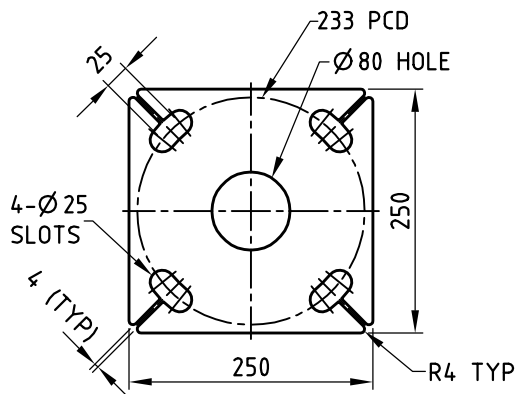
DETAIL 2  
SCALE -NTS



SECTION B  
SCALE -NTS



DETAIL 1  
SCALE -NTS



VIEW A  
SCALE -NTS

BASE PLATE FOR  
4-M20 FOUNDATION BOLTS

FOR ASSEMBLY & DETAIL REFER AD527

PRODUCT WEIGHT 34.6 kg		CUSTOMER APPROVAL DATE		COPYRIGHT THIS DOCUMENT PRODUCED BY INGAL EPS MUST NOT BE COPIED, TRACED, REPRODUCED, OR LENT WITHOUT WRITTEN CONSENT		<b>INGAL EPS</b>		PRODUCT NUMBER FMH3F	
				DIMENSIONS IN MILLIMETRES		FLOODLIGHTING MALL RANGE HEAVY DUTY 3m POST TOP COLUMN BASE PLATE MOUNTED		DRAWING NUMBER GA133	
0		27/05/08		ISSUED FOR CONSTRUCTION		S.K.P.		SHEET NUMBER	
REV		DATE		DESCRIPTION		BY		CHKD	
A4		DO NOT SCALE		CHECKED BY		DATE		SCALE	
CUSTOMER NAME / PROJECT		27/05/08		27/05/08		DRAWN BY S.K.PONNAMBATH		CAD FILE No AD527	