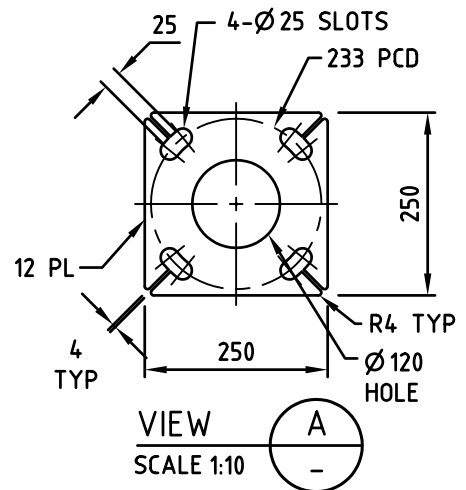
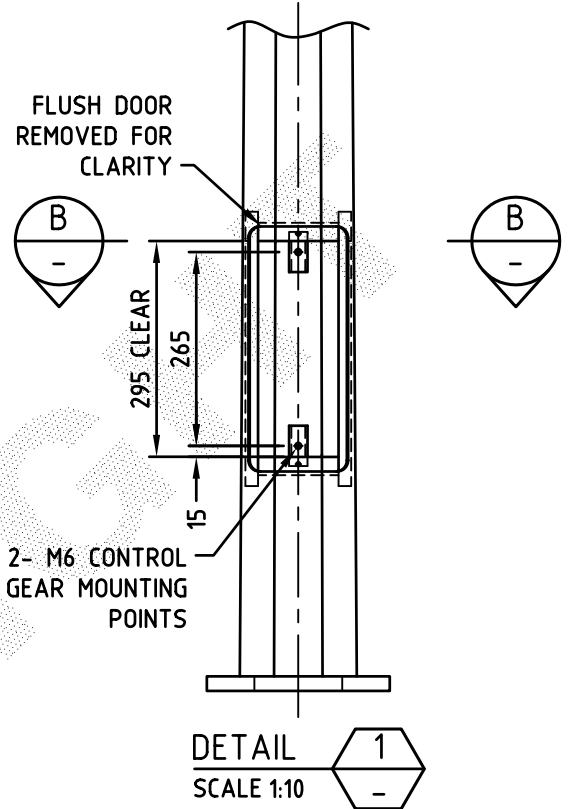
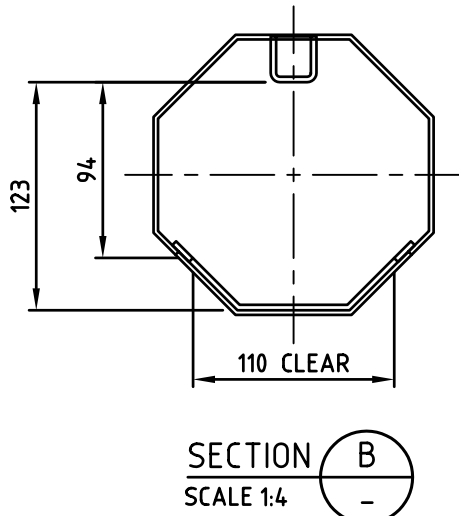
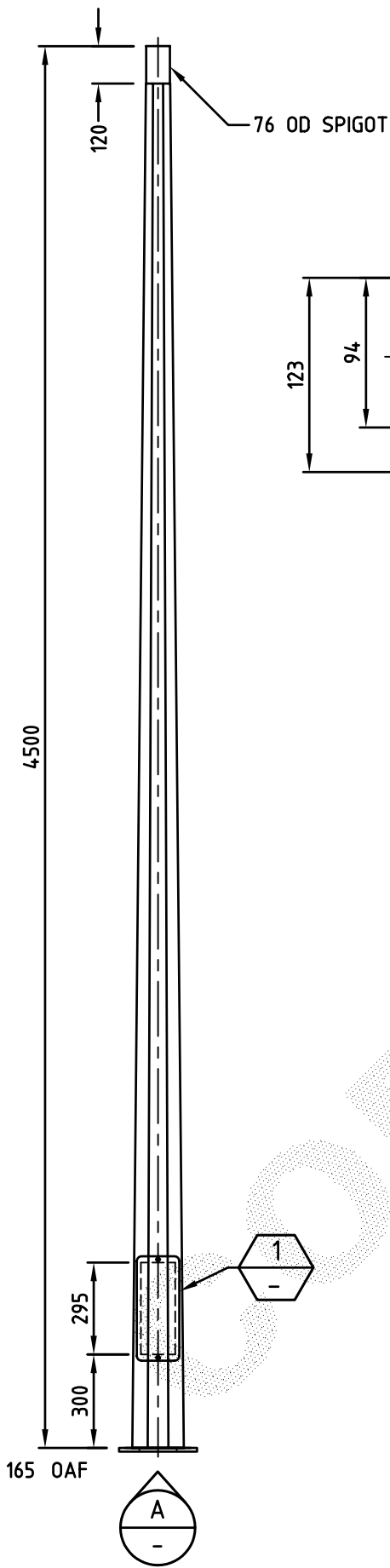


FOR GENERAL NOTES APPLICABLE TO THIS DRAWING REFER DRAWING GA1



BASE PLATE FOR 4- M20 FOUNDATION BOLTS

FOR ASSEMBLY & DETAIL REFER AD816

<b>PRODUCT WEIGHT</b> 45 kg		<b>CUSTOMER APPROVAL</b> DATE		COPYRIGHT THIS DOCUMENT PRODUCED BY INGAL EPS MUST NOT BE COPIED, TRACED, REPRODUCED, OR LENT WITHOUT WRITTEN CONSENT		<b>INGAL EPS</b>		<b>PRODUCT NUMBER</b> FBM45F	
				DIMENSIONS IN MILLIMETRES		FLOODLIGHTING BOULEVARD OCTAGONAL 4.5m 76 OD x 120 SPIGOT		<b>DRAWING NUMBER</b> GA12	
0 03/10/06 FIRST ISSUE		J.M.		A4 DO NOT SCALE				<b>SHEET NUMBER</b>	
REV DATE DESCRIPTION		BY CHKD		CHECKED BY DATE		DATE		SCALE 1:20	
CUSTOMER NAME / PROJECT				03/10/06		29/09/06		DRAWN BY J. MARTIN	
								CAD FILE No GA12	