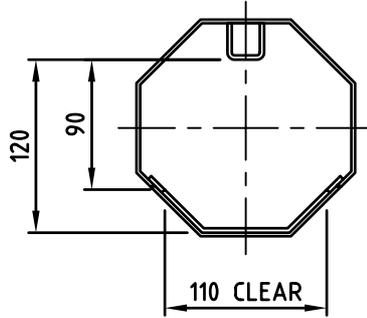
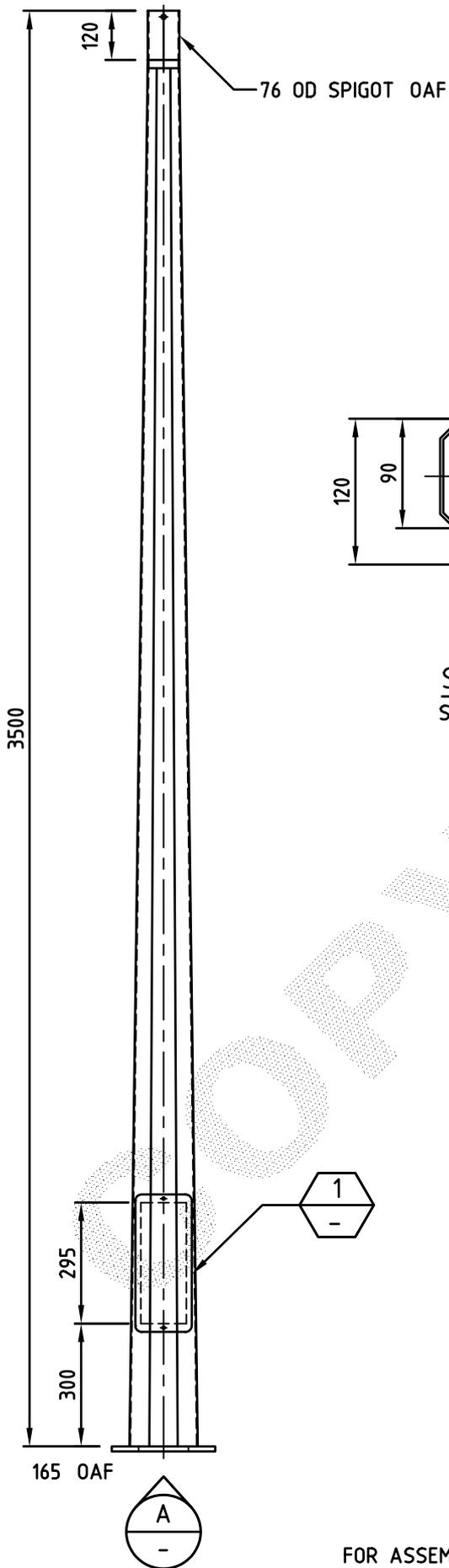
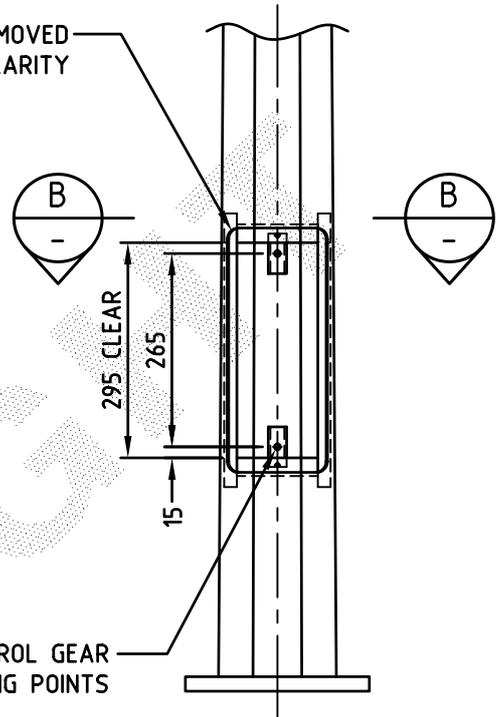


FOR GENERAL NOTES APPLICABLE TO THIS DRAWING REFER DRAWING GA1



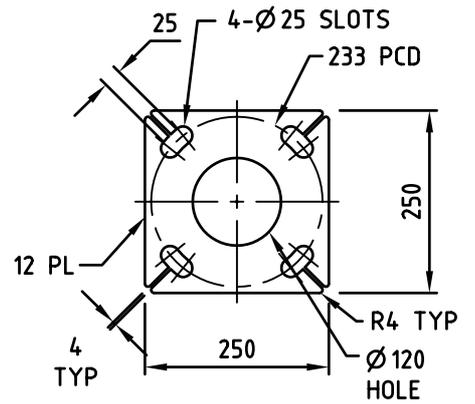
SECTION B
SCALE 1:5

FLUSH DOOR REMOVED FOR CLARITY



2-M6 CONTROL GEAR MOUNTING POINTS

DETAIL 1
SCALE 1:15



VIEW A
SCALE 1:10

BASE PLATE FOR
4 - M20 FOUNDATION BOLTS

FOR ASSEMBLY & DETAIL REFER AD833

PRODUCT WEIGHT 37 kg		CUSTOMER APPROVAL DATE		COPYRIGHT THIS DOCUMENT PRODUCED BY INGal EPS MUST NOT BE COPIED, TRACED, REPRODUCED, OR LENT WITHOUT WRITTEN CONSENT		INGAL EPS		PRODUCT NUMBER FBM35F	
				DIMENSIONS IN MILLIMETRES		FLOODLIGHTING BOULEVARD OCTAGONAL 3.5m 76 OD x 120 SPIGOT		DRAWING NUMBER GA10	
								SHEET NUMBER	
0	25/10/06	FIRST ISSUE		J.M		A4 DO NOT SCALE			
REV	DATE	DESCRIPTION	BY	CHKD		CHECKED BY DATE 25/10/06	DATE 24/10/06	DRAWN BY J. MARTIN	SCALE 1:15
CUSTOMER NAME / PROJECT								CAD FILE No GA10	