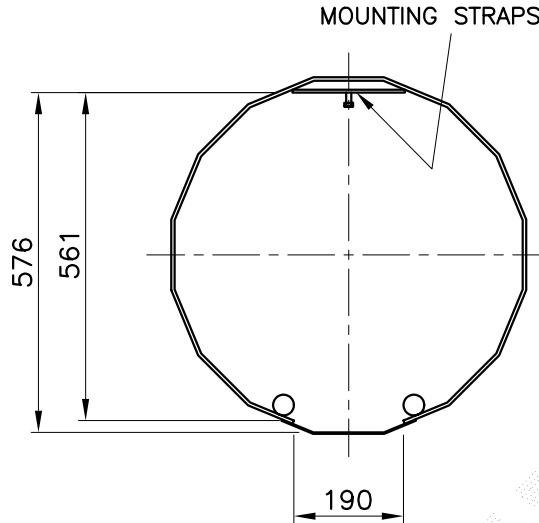
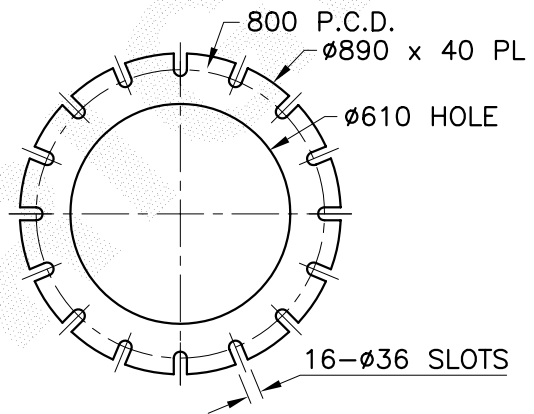


76 O.D. SPIGOT WITH CABLE SUPPORT
ROD SUPPLIED AS STANDARD



CONTROL GEAR CLEARANCES
1:10



VIEW (A)
SCALE 1:20
BASEPLATE FOR 16- M30 RAGBOLTS

DOOR
610 x 190 CLEAR OPENING
C/W CONTROL GEAR
MOUNTING STRAPS

NOTES:

1. ALL STEEL COIL TO CONFORM TO AS/NZS 1594 GRADE HU300 U.O.N.
ALL STEEL PLATES TO CONFORM TO AS/NZS 3678 GRADE 250 U.O.N.
2. ALL STEEL BARS AND SECTIONS TO CONFORM TO AS/NZS 3679 GRADE 250 U.O.N.
3. ALL WELDS TO CONFORM TO AS/NZS 1554 PART 1
4. ALL TAPER LOCK JOINT LENGTHS ARE NOMINAL U.O.N.
5. ALL STEEL TO BE FULLY HOT DIP GALVANIZED AFTER FABRICATION
IN ACCORDANCE WITH AS/NZS 4680

REV	DATE	DESCRIPTION	BY	CHKD
3	3/11/03	DOOR MOUNTING DETAILS CHANGED	PB	PPA
2	6/8/01	BASEPLATE WAS 36 THK	IW	PPA
1	15/12/99	GEAR MOUNTING DETAIL CHANGED	IW	PPA
0	11/5/99	FIRST ISSUE	IW	PPA

COPYRIGHT
THIS DOCUMENT PRODUCED
BY INGAL EPS MUST NOT
BE COPIED, TRACED,
REPRODUCED, OR LENT
WITHOUT WRITTEN CONSENT

DIMENSIONS IN MILLIMETRES

DO NOT SCALE

CHECKED BY: *PPA* DATE: 27/5/99

INGAL EPS

FLOODLIGHTING
27m MEDIUM DUTY TRACK RANGE
BASEPLATE MOUNTED
RIVERTON DESIGN

CATALOGUE NUMBER
FTM27F
DRAWING NUMBER
FTM27F

SCALE: 1:125
DRAWN BY: I. WHITE
DATE: 11/5/99
CAD FILE No.: Z:\ACAD\STD\TRACK\FTM27F-ND