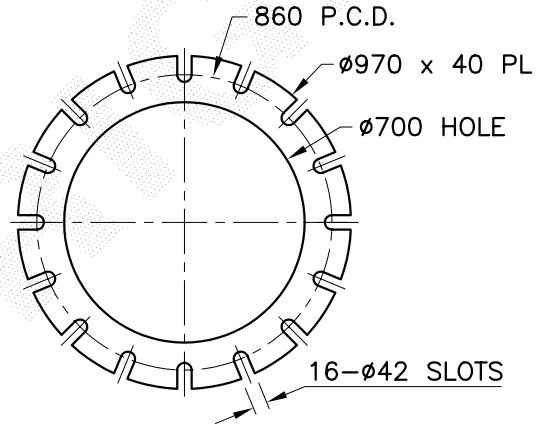


CONTROL GEAR CLEARANCES
1:10



VIEW (A)
SCALE 1:20
BASEPLATE FOR 16- M36 RAGBOLTS

DOOR
610 x 190 CLEAR OPENING
C/W CONTROL GEAR
MOUNTING STRAPS

NOTES:

1. ALL STEEL COIL TO CONFORM TO AS/NZS 1594 GRADE HU300 U.O.N.
ALL STEEL PLATES TO CONFORM TO AS/NZS 3678 GRADE 250 U.O.N.
2. ALL STEEL BARS AND SECTIONS TO CONFORM TO AS/NZS 3679 GRADE 250 U.O.N.
3. ALL WELDS TO CONFORM TO AS/NZS 1554 PART 1
4. ALL TAPER LOCK JOINT LENGTHS ARE NOMINAL U.O.N.
5. ALL STEEL TO BE FULLY HOT DIP GALVANIZED AFTER FABRICATION
IN ACCORDANCE WITH AS/NZS 4680

REV	DATE	DESCRIPTION	BY	CHKD
3	6/11/03	DOOR MOUNTING DETAILS CHANGED	PB	PPA
2	2/8/01	BASEPLATE WAS 36 THK	IW	PPA
1	15/12/99	GEAR MOUNTING DETAIL AMENDED	IW	PPA
0	7/5/99	FIRST ISSUE	IW	PPA

COPYRIGHT
THIS DOCUMENT PRODUCED
BY IN GAL EPS MUST NOT
BE COPIED, TRACED,
REPRODUCED, OR LENT
WITHOUT WRITTEN CONSENT

DIMENSIONS IN MILLIMETRES

DO NOT SCALE

CHECKED BY: *PPA* DATE: 27/5/99

INGAL EPS

FLOODLIGHTING
30m HEAVY DUTY TRACK RANGE
BASEPLATE MOUNTED
RIVERTON DESIGN

CATALOGUE NUMBER
FTH30F
DRAWING NUMBER
FTH30F

DATE: 7/5/99
DRAWN BY: I. WHITE
SCALE: 1:125
CAD FILE No. Z:\ACAD\STD\TRACK\FTH30F-ND