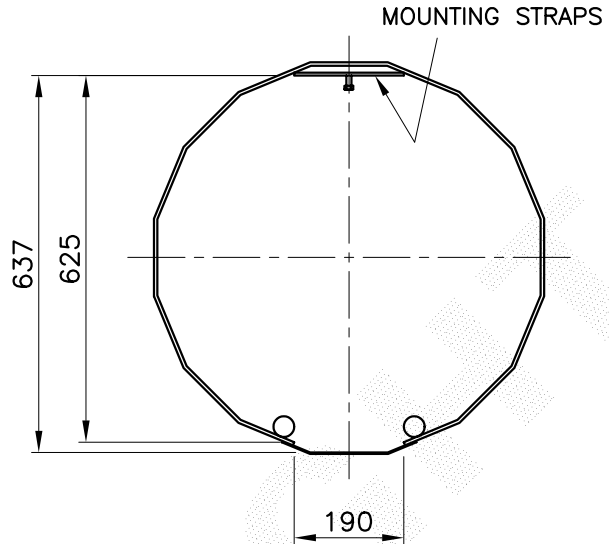
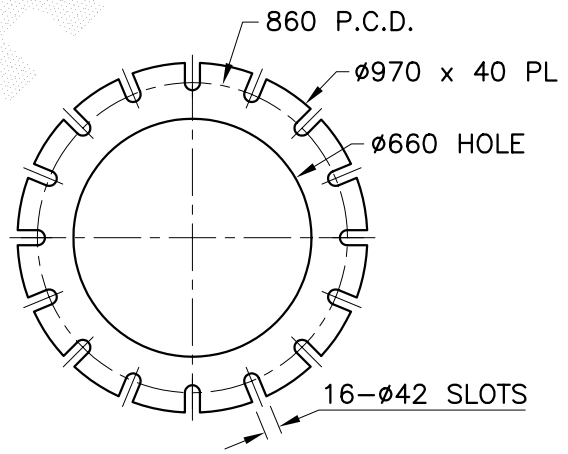


76 O.D. SPIGOT WITH CABLE SUPPORT  
ROD SUPPLIED AS STANDARD



**CONTROL GEAR CLEARANCES**

1:10



**VIEW (A)**

SCALE 1:20

BASEPLATE FOR 16- M36 RAGBOLTS

DOOR  
610 x 190 CLEAR OPENING  
C/W CONTROL GEAR  
MOUNTING STRAPS

**NOTES:**

1. ALL STEEL COIL TO CONFORM TO AS/NZS 1594 GRADE HU300 U.O.N.  
ALL STEEL PLATES TO CONFORM TO AS/NZS 3678 GRADE 250 U.O.N.
2. ALL STEEL BARS AND SECTIONS TO CONFORM TO AS/NZS 3679 GRADE 250 U.O.N.
3. ALL WELDS TO CONFORM TO AS/NZS 1554 PART 1
4. ALL TAPER LOCK JOINT LENGTHS ARE NOMINAL U.O.N.
5. ALL STEEL TO BE FULLY HOT DIP GALVANIZED AFTER FABRICATION  
IN ACCORDANCE WITH AS/NZS 4680

REV	DATE	DESCRIPTION	BY	CHKD
2	6/11/03	DOOR MOUNTING DETAILS CHANGED	PB	PM
1	15/12/99	GEAR MOUNTING DETAIL CHANGED	IW	PM
0	10/5/99	FIRST ISSUE	IW	SC

COPYRIGHT  
THIS DOCUMENT PRODUCED  
BY INGAL EPS MUST NOT  
BE COPIED, TRACED,  
REPRODUCED, OR LENT  
WITHOUT WRITTEN CONSENT

DIMENSIONS IN MILLIMETRES



A4 DO NOT SCALE  
CHECKED BY: *SC* DATE: 8/6/99

**INGAL EPS**

FLOODLIGHTING  
27m HEAVY DUTY TRACK RANGE  
BASEPLATE MOUNTED  
RIVERTON DESIGN

CATALOGUE NUMBER  
FTH27F  
DRAWING NUMBER  
FTH27F

DATE: 7/3/99

DRAWN BY: I. WHITE

SCALE: 1:125

CAD FILE No. Z:\ACAD\STD\TRACK\FTH27F-ND