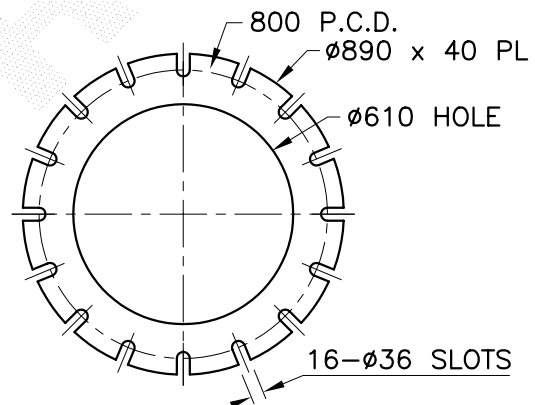


**CONTROL GEAR CLEARANCES**  
1:10



**VIEW A**  
SCALE 1:20  
BASEPLATE FOR 16- M30 RAGBOLTS

DOOR  
610 x 190 CLEAR OPENING  
C/W CONTROL GEAR  
MOUNTING STRAPS

**NOTES:**

1. ALL STEEL COIL TO CONFORM TO AS/NZS 1594 GRADE HU300 U.O.N.  
ALL STEEL PLATES TO CONFORM TO AS/NZS 3678 GRADE 250 U.O.N.
2. ALL STEEL BARS AND SECTIONS TO CONFORM TO AS/NZS 3679 GRADE 250 U.O.N.
3. ALL WELDS TO CONFORM TO AS/NZS 1554 PART 1
4. ALL TAPER LOCK JOINT LENGTHS ARE NOMINAL U.O.N.
5. ALL STEEL TO BE FULLY HOT DIP GALVANIZED AFTER FABRICATION  
IN ACCORDANCE WITH AS/NZS 4680

REV	DATE	DESCRIPTION	BY	CHKD
3	6/11/03	DOOR MOUNTING DETAILS CHANGED	PB	PPA
2	02/08/01	BASEPLATE WAS 36 THK	IW	PPA
1	15/12/99	GEAR MOUNTING DETAIL CHANGED	IW	PPA
0	10/5/99	FIRST ISSUE	IW	PPA

COPYRIGHT  
THIS DOCUMENT PRODUCED  
BY INGAL EPS MUST NOT  
BE COPIED, TRACED,  
REPRODUCED, OR LENT  
WITHOUT WRITTEN CONSENT

DIMENSIONS IN MILLIMETRES

DO NOT SCALE

CHECKED BY: *PPA* DATE: 27/5/99

**INGAL EPS**

FLOODLIGHTING  
25m HEAVY DUTY TRACK RANGE  
BASEPLATE MOUNTED  
RIVERTON DESIGN

CATALOGUE NUMBER  
FTH25F  
DRAWING NUMBER  
FTH25F

DATE: 7/5/99  
DRAWN BY: I. WHITE  
SCALE: 1:125  
CAD FILE No. Z:\ACAD\STD\TRACK\FTH25F-ND