

REFER DETAIL B.

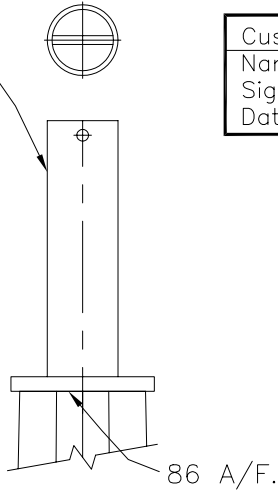
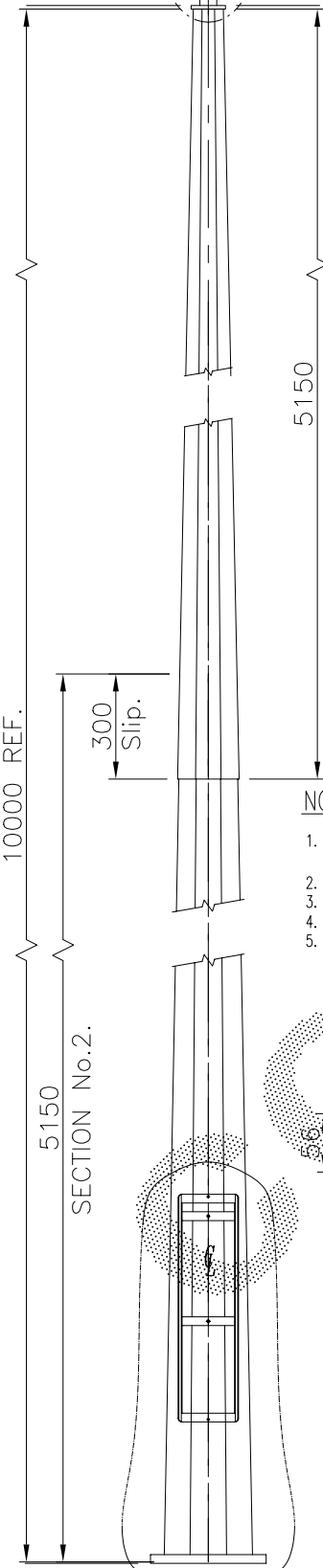
SPIGOT SIZE TO BE ADVISED.

Customer Approval

Name:

Signature:

Date:

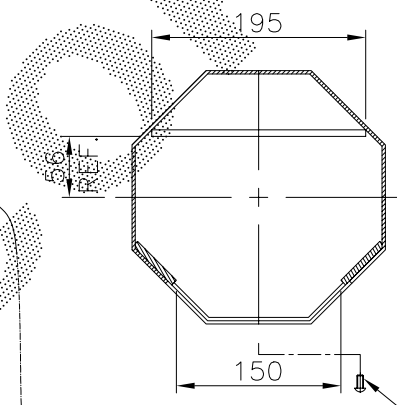


DETAIL B.
NTS.

SECTION No.1.
5150

NOTES:

1. ALL STEEL COIL TO CONFORM TO AS/NZS 1594 GRADE HU300 U.O.N.
ALL STEEL PLATES TO CONFORM TO AS/NZS 3878 GRADE 250 U.O.N.
2. ALL STEEL BARS AND SECTIONS TO CONFORM TO AS/NZS 3679 GRADE 250 U.O.N.
3. ALL WELDS TO CONFORM TO AS/NZS 1554 PART 1
4. ALL TAPER LOCK JOINT LENGTHS ARE NOMINAL U.O.N.
5. ALL STEEL TO BE FULLY HOT DIP GALVANIZED AFTER FABRICATION
IN ACCORDANCE WITH AS/NZS 4680



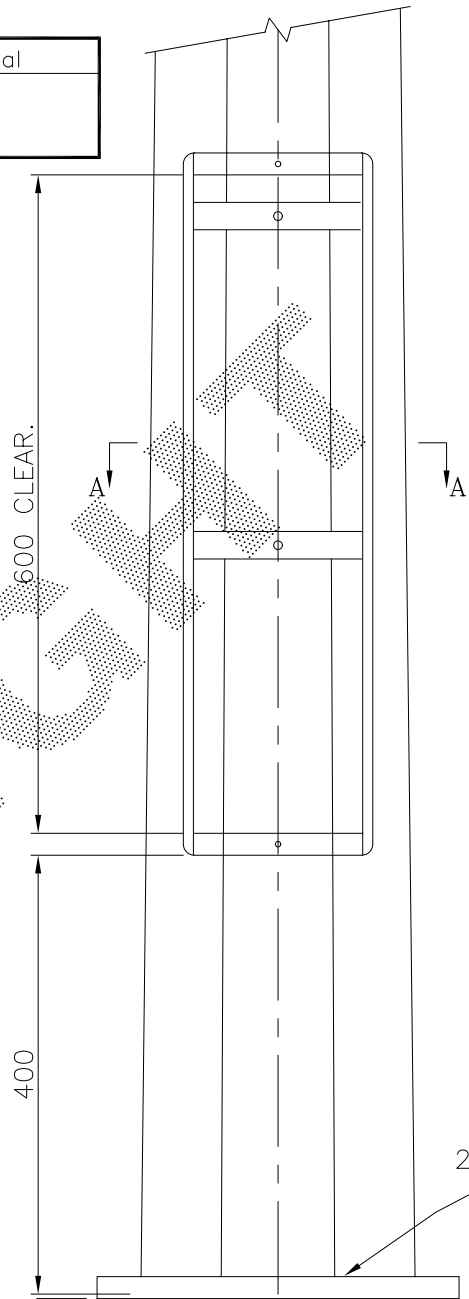
SECTION A-A.
NTS.

FINISH: HOT DIP GALVANISED.

4 slots $\varnothing 28$ equi-spaced on 350 PCD.
To suit M24 foundation bolts.
Base plate 330 x 330.

FOR ASSY. & DETAILS REFER DWG. No. PT-STD-01-07.

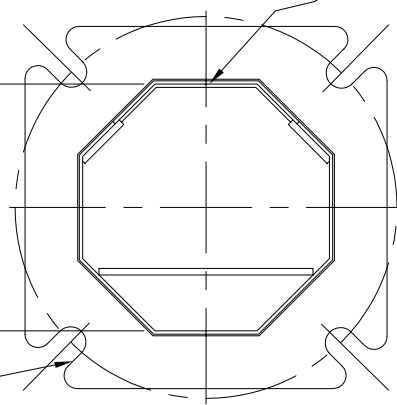
WEIGHT: 156 kg.



DETAIL A.
NTS.

AVAILABLE FOR
CABLE ACCESS.

246 A/F.



REFER
DETAIL A.

REV	DATE	DESCRIPTION	BY	CHKD
1	18/12/02	New dwg. frame added. Cat. No. was PTFPL10F.	R.S.	CJJ
0	10/4/01	ISSUED FOR CONSTRUCTION.	R.S.	QtP

CUSTOMER/PROJECT

COPYRIGHT
THIS DOCUMENT PRODUCED
BY INGAL EPS MUST NOT
BE COPIED, TRACED,
REPRODUCED, OR LENT
WITHOUT WRITTEN CONSENT

DIMENSIONS IN MILLIMETRES

DO NOT SCALE

CHECKED BY: QtP
DATE: 10/4/01

INGAL EPS

FLOODLIGHTING
10.0m. LIGHT DUTY PARK RANGE
BASEPLATE MOUNTED
POLE-TECH DESIGN.

CATALOGUE NUMBER
FPL10F
DRAWING NUMBER
PT-STD-01-06

CAD FILE No.
PTSTD0106

SCALE
1:20

DRAWN BY:
R.S.

DATE
10/4/01