

YOUR FLAG IS ONLY AS STRONG AS THE MAST THAT SUPPORTS IT

Your flag is a symbol of who you are and what you believe. That's why it deserves to fly on the best mast available.



22M FLAG MAST AT CHENNAI

A flag mast from Valmont® Structures is engineered and manufactured with decades of traffic and telecommunications structure, lighting and utility poles and coatings experience behind it. What's more, Valmont is the only manufacturer in India following the FP 1001-07 international design code. Your flag mast is too important for anything less.

When you purchase a flag mast from Valmont, you get:

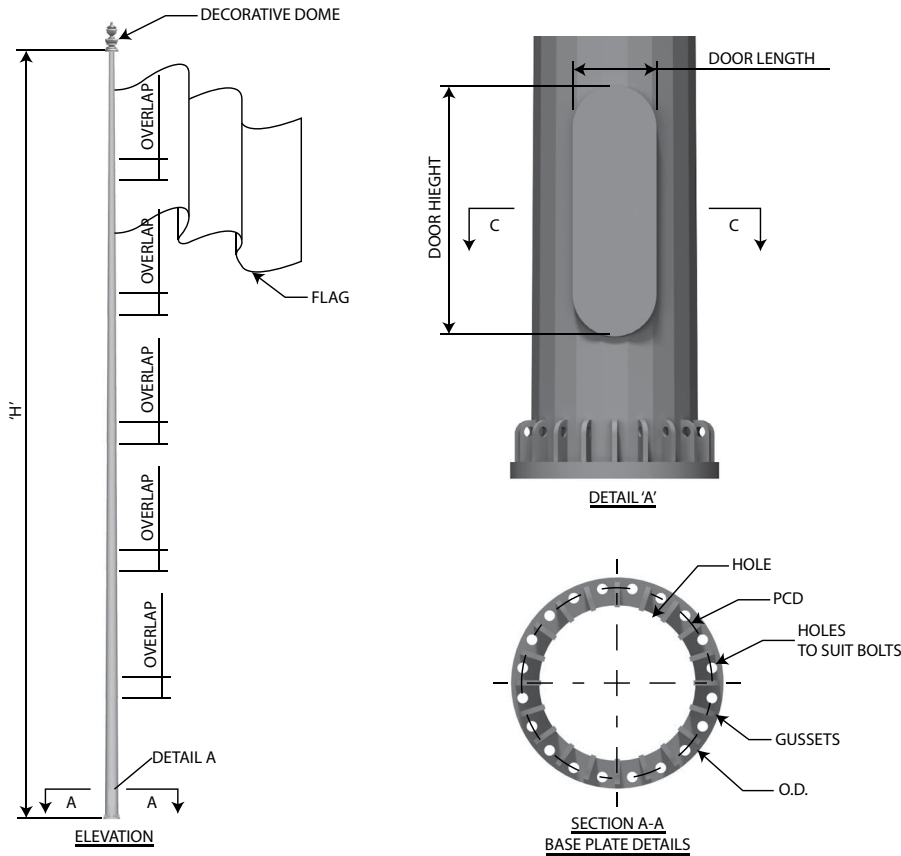
- Galvanising or liquid coatings that not only add longer life and aesthetic value to your flag mast, but can also be colored to further support your organization or cause.
- Masts are typically manufactured up to 60 meters tall, providing plenty of height while still maintaining an unwavering commitment to safety from Valmont.
- Tapered mast designs reduce the impact from wind, and add to the durability and longevity of the mast.

Whether you raise your flag once, or raise and lower it each day, a flag mast from Valmont comes with everything you need to fly your flag with ease and confidence:

- 3" diameter dome on top
- Single flag rotating truck (allows flag to blow freely in the wind)
- 2 swivel snaps to attach the flags to the rope
- Rope to raise and lower your flag
- Anchor cleat for wrapping rope
- Embedment sleeve for the mast

Whether it is for a government facility, university or school campus, sports venue, commercial enterprise, park or even for personal use, Valmont® Structures offers a custom-engineered flag mast that is easy to use, backed by decades of pole design and manufacturing experience and will display your flag for many years into the future.

ENGINEERED WITH PRECISION



valmont 
STRUCTURES

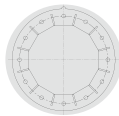
By considering the weather conditions, usage, and aesthetics related to your project, we use our expertise to recommend long-lasting materials based on years of research and extensive testing.

We can assist at every stage of the engineering and manufacturing process, from design concepts and renderings, to sales proposals and marketing support. We ensure that our poles conform to various domestic and international industry standards and specifications.

- The structure is suitable for wind speed as per IS 875 Part III 2015 and PLG 07.
- The mast is fabricated from special steel plates, conforming to ASTM A 572/BS EN 10025.
- The welding is in accordance with the American Welding Society (AWS).
- The entire mast is single hot-dip galvanised, internally and externally as per ASTM A123 and A153.
- The top and bottom diameters and plate thickness of the mast are designed as per EN40.
- The design life of the mast is a minimum of 25 years.



Up to 60 Metres
in Height



Traditional
Base Plate Design



Adhering to Correct
Design Codes



Hot-Dip Galvanised
for Better Protection

To know more about products manufactured by Valmont India, please visit our website www.valmont.in.

Find us on Facebook



www.facebook.com/valmont.india

Follow us on



@ValmontIndia

Copyright © Valmont Structures Pvt. Ltd. All Rights Reserved. This document is the sole property of Valmont Structures Pvt. Ltd. No part of this document may be reproduced, stored in a retrieval system, or transmitted in any form or by any means - electronic, mechanical, photocopying, recording or otherwise - without prior written permission of the concerned authority. © All Rights Reserved.