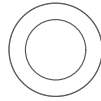




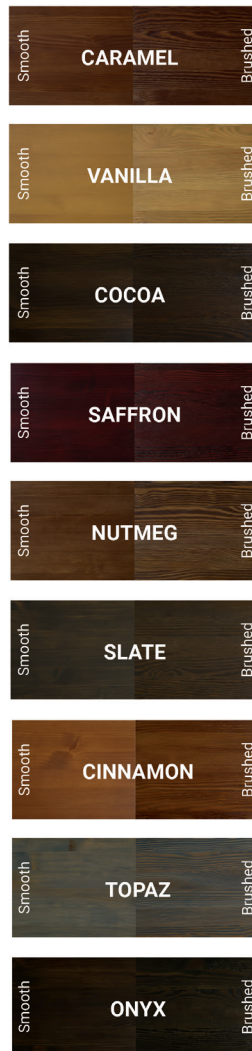
Cross Section



Dart Square - 2T
(Standard)



Finish Options



PALLAS

Round Tapered Decorative Wooden Pole

Pole Shaft – Wood shafts are manufactured from glued-laminated timber. The raw materials used are harvested from sustainability managed, PEFC certified forests in Finland. Wood shaft combined with a steel base section.

Handhole – All pole assemblies are provided with a 15.75" x 3.35" (19.69" x 3.94" for Pallas 10 pole) rectangular handhole located 19.69" from the base plate.

Base Cover – A two-piece square Dart (2T) spun aluminum cover is provided with each pole assembly.

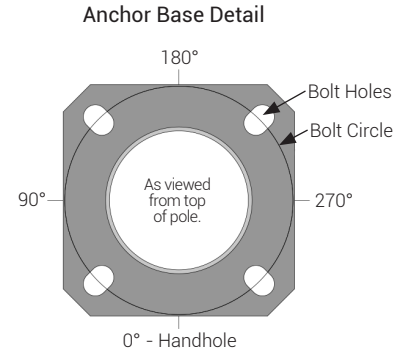
Anchor Bolts – Anchor bolts conform to ASTM F1554 Grade 55 and are provided with two hex nuts and two flat washers. Bolts have an "L" bend on one end and are galvanized a minimum of 12" on the threaded end.

Finish – Wood pole section is finished with a water-based stain consisting of four protective coats. Multiple color stain options available (see below). The galvanized steel pole section, comes with a polyester silver grey powder applied coating finish in accordance with the Valmont® Structures specifications.

PALLAS Round Tapered Decorative Wooden Pole

Anchorage Data

PALLAS	Base Plate		Anchor Bolts (IN)			
	Bolt Circle	Width	Dia x Length x Hook	Projection	+/-	
4	11.13"	10.63	.75 x 17.00 x 3.00	3.75	0.5	
5	11.13"	10.63	.75 x 17.00 x 3.00	3.75	0.5	
6	11.13"	10.63	.75 x 17.00 x 3.00	3.75	0.5	
7	11.50"	12.0	1.00 x 36.00 x 4.00	4.13	0.25	
8	11.50"	12.0	1.00 x 36.00 x 4.00	4.13	0.25	
10	11.50"	12.0	1.00 x 36.00 x 4.00	4.13	0.25	



Designation, Load and Dimensional Data

PALLAS	Pole Dimensions					Design Information					
	Height (ft)	Top ø	Base ø	Steel Section Height	Internal Pole Dimensions	90		100		110	
						Max EPA	Max Weight	Max EPA	Max Weight	Max EPA	Max Weight
4	13.12	3.54	5.51	51.18	w3.15* d3.54	12.4	310	9.8	245	8	200
5	16.40	3.54	5.51	51.18	w3.15* d3.54	9	225	7	175	5.6	140
6	19.69	3.54	5.51	51.18	w3.15* d3.54	6	150	4.6	115	3.6	90
7	22.97	3.94	7.60	55.12	w3.15*d5.90	13.6	340	10.8	270	8.6	215
8	26.25	3.94	7.60	55.12	w3.15*d5.90	10	250	8.2	205	6.6	165
10	32.81	4.72	8.62	62.99	w3.74*d6.69	8.2	205	6	150	4.4	110

1. EPA values are calculated using fastest mile winds. EPA represents the Effective Projected Area of each luminaire. Designs are limited to top mount or side-mount luminaires. Variations from sizes above are available upon inquiry at the factory. Satisfactory performance of poles is dependent upon the pole being properly attached to a supporting foundation of adequate design. Structure weight is a nominal value which includes the pole shaft and base plate. * Shafts may be a two piece assembly.

Wind loading is based on AASHTO LTS-6 (2013) design.

Job Name:	_____
Job Location - City:	_____ State: _____
Quote:	_____
Client Name:	_____
Created By:	_____ Date: _____
Customer Approval:	_____ Date: _____

