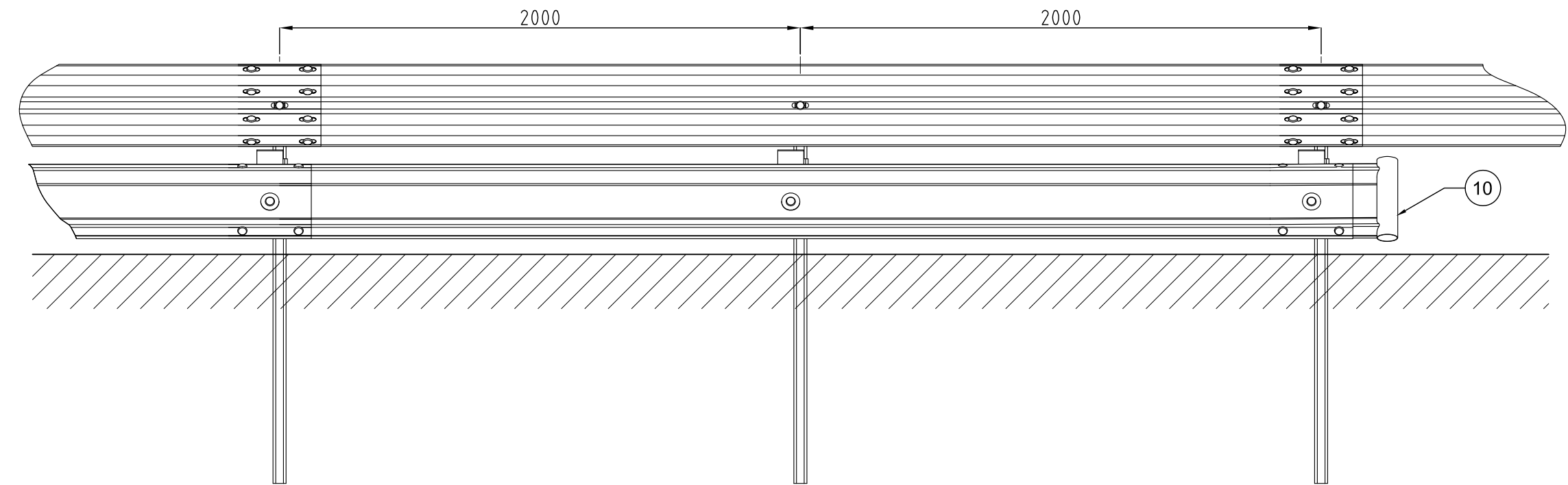
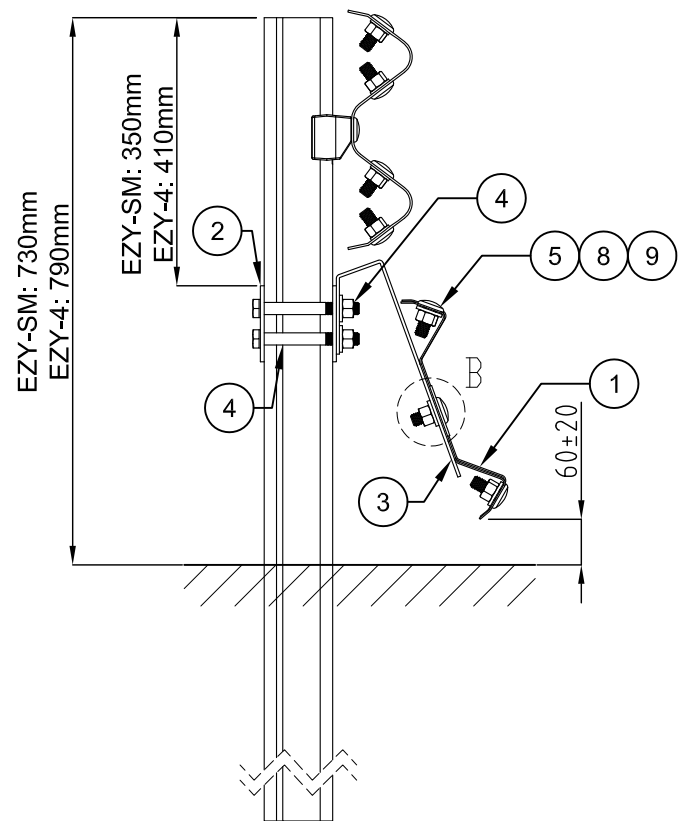
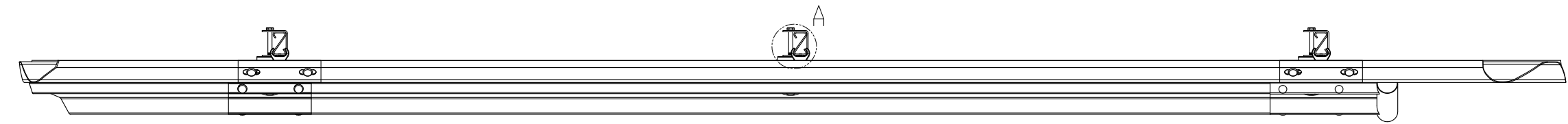
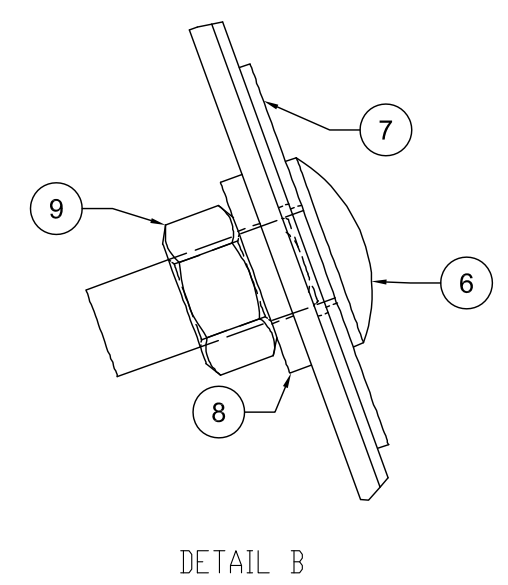
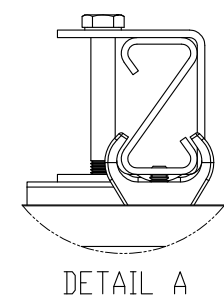
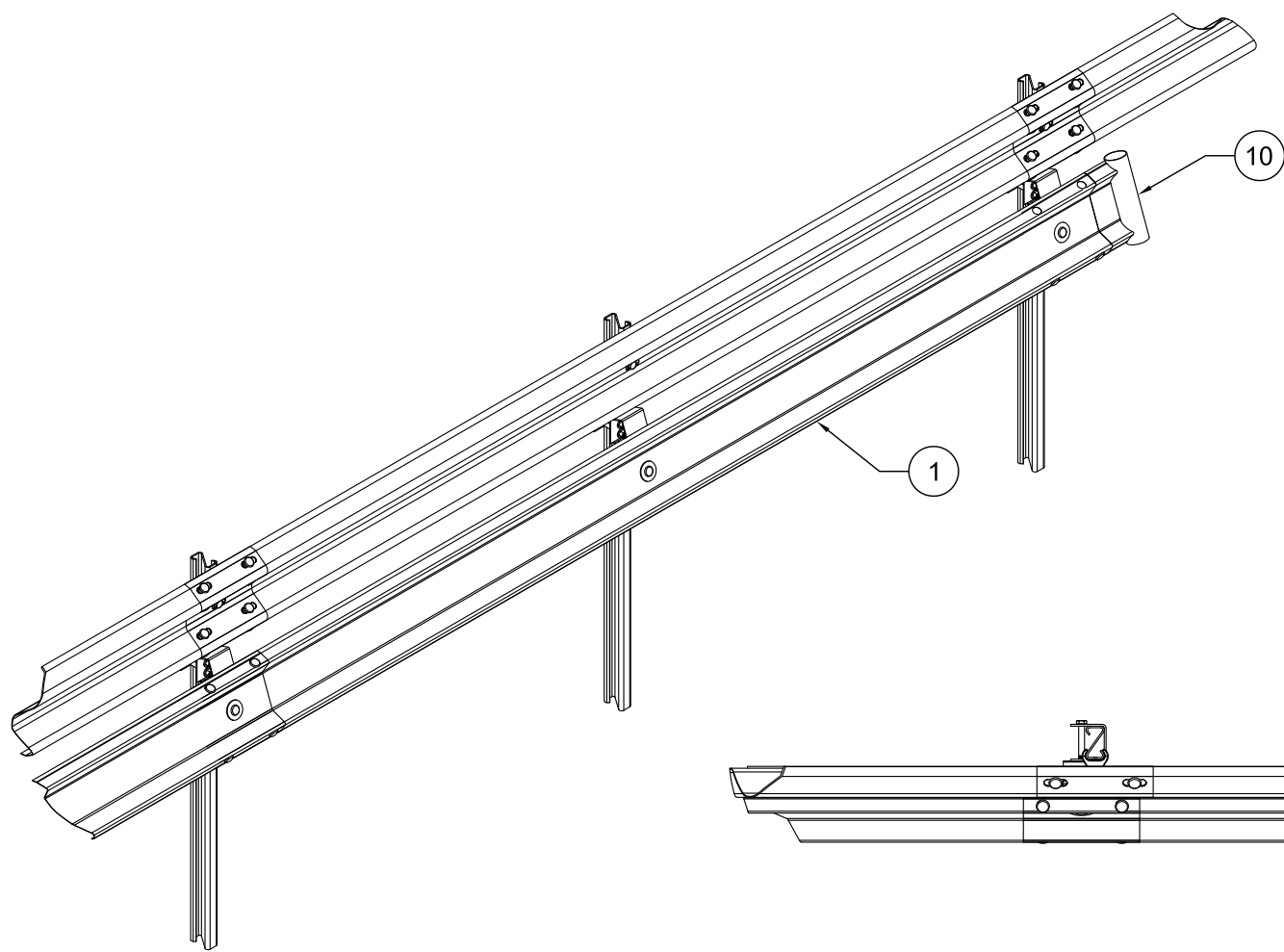


EZY-GUARD CONFIG - MPR BILL OF MATERIALS (4 m)			
ITEM	QTY	PART NUMBER	DESCRIPTION
1	1	10006773	Motorcyclist protection beam
2	2	10007332	Z-Post Bracket
3	2	10006772	Rail mounting bracket
4	4	10003618	M16x130 Bolt, Nut & Washer
5	4	10001248	Round head bolt M16x32
6	2	10006769	Round head bolt M16x40
7	2	10006771	Slot Washer $\phi 70 \times 2$
8	6	10006770	Washer $\phi 35 \times 17 \times 4$
9	6	10007834	M16 nut
10	1	10006767	MPR END TERMINAL



NOTES:  
 1. ALL STEELWORK TO BE HOT DIP GALVANISED AFTER FABRICATION TO AS/NZS 4680 AND STRAIGHTENED AFTER GALVANISING IF REQUIRED.

REV	DATE	DESCRIPTION	DRAWN	CHECKED	APPROVED
5	25-05-2017	DIMS ADDED	MC	LG	MC
4	22-11-2016	WASHER QTY REDUCED	LG	MC	LG
3	17-11-2016	BOM CORRECTION	LG	MC	LG
2	26-07-2016	Z POST BRACKET PART NUMBER ADDED	MC	LG	MC
1	20-07-2015	BOM CORRECTION - ITEM 10	LG		

DRAWING NUMBER	REFERENCE DRAWINGS

NAME	DATE
DRAWN A.R.	28/07/2014
CHECKED	
APPROVED	
SCALE	N.T.S. @ A3
ISSUE FOR	INFORMATION ONLY

**INGAL CIVIL PRODUCTS**  
 57-65 AIRDS ROAD  
 MINTO, N.S.W  
 AUSTRALIA 2566  
 PH. +61 2 9827 3333  
 FAX +61 2 9827 3300  
 www.ingalcivil.com.au

DRAWING AND CONTENTS ARE COPYRIGHT TO INGAL CIVIL PRODUCTS AND CAN ONLY BE USED WITH PRIOR WRITTEN CONSENT FROM INGAL CIVIL PRODUCTS

PROJECT	TITLE
	INGAL MPR MOTORCYCLIST PROTECTION EZY-GUARD CONFIGURATION ASSEMBLY DETAILS

INGAL CIVIL PRODUCTS PART No.	ICP-MPR-003
DRAWING No.	ICP-MPR-003

J:\SALES & MARKETING\DRAWINGS\INGAL MPR\ICP-MPR-003 - EZY-GUARD WITH MPR.DWG Rev: 5