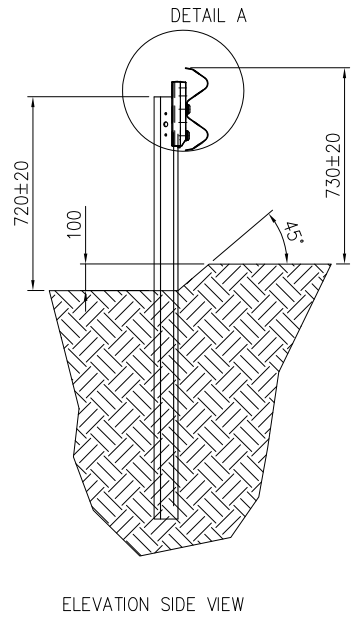


TRAFFIC

ITEM No	DESCRIPTION
1	EZY-GUARD SMART Z-Post - 1600MM
2	W BEAM GUARDRAIL
3	EZY-LIFT CARRIAGE
4	M16 x 30 MM CARRIAGE BOLT
5	M16 x 32 MM SPLICE BOLT
6	M16 OVERSIZE NUT
7	M16 x 3 MM WASHER
8	75 x 45 MM WASHER

- 180mm OVERLAY MOUNTING HOLE
- 150mm OVERLAY MOUNTING HOLE
- ④ ⑧ 100mm OVERLAY MOUNTING HOLE
- 50mm OVERLAY MOUNTING HOLE
- ④ ⑦ EZY-GUARD M16 BOLT & M16 WASHER



REV	DATE	DESCRIPTION	DRAWN	CHECKED	APPROVED
1	29-03-2017	DRAWING TITLE UPDATED	MC	LG	
1	15-02-2017	PART NUMBERING CORRECTION - LOWER CARRIAGE BOLT	LG	MC	

REFERENCES	DRAWING NUMBER	REFERENCE DRAWINGS

NAME	DATE
DRAWN MC	13-12-16
CHECKED LG	13-12-16
APPROVED LG	13-12-16
SCALE N.T.S. @ A3	
ISSUE FOR INFORMATION ONLY	

DRAWING AND CONTENTS ARE COPYRIGHT TO INGAL CIVIL PRODUCTS AND CAN ONLY BE USED WITH PRIOR WRITTEN CONSENT FROM INGAL CIVIL PRODUCTS  
 57-65 AIRDS ROAD MINTO, N.S.W 2566 PH. +61 2 9827 3333 www.ingalcivil.com.au

PROJECT	TITLE
	EZY-GUARD SMART WITH EZY-LIFT CARRIAGE EXPLODED ASSEMBLY DETAIL

INGAL CIVIL PRODUCTS PART No.	DRAWING No.
	EZY-SM-137

J.SHALES & MARKETING/DRAWINGS/EZY-GUARD ASSEMBLY/EZY-SM-137 - EZY-LIFT SMART EXPLODED ASSEMBLY.DWG